

Boiler Pressurised Top-up Unit

Model: IPP 1 27/AS
Stock Code: 1196038



Pressmatic IPP127 / AS Single Pump Autofill Unit
Stock Code: 1196038



Pedrollo PKm 60 Pump
Stock Code: 1000009



8ltr Global Sphere Pressure Vessel
Stock Code: 1004918

Features

- Single Pump
- High, Low & Pump Pressure Switches with visual setting indicators
- 25 Litre Break Tank c/w Lid - ½" Ballcock & Polyfloat 8 Litre Pressure Vessel
- Non-Return Valves on Suction & Discharge Pipework
- Pressure Gauge
- Maintenance Drain Valve
- All Pressmatic Units are Factory tested and set at 1.00 Bar Cold Fill Pressure

Electrical Details:

230 Volts / 1
Phase / 50 Hz,
0.37 kW, 2.70
Amps FLC

Dimensions:

0.72 m (l) x 0.35
m (d) x 0.95 m
(h)

Cold Fill Pressure:

50 kPa to 250
kPa (0.50 kPa
– 320kPa is
available on
request)

1 off Pressmatic IPP127/AS Single Pump Automatic Pressurisation / Make Up Unit, fully packaged with the following standard components.

One off Peripheral pump. One off 25 Litre mains water break tank with dust cover lid, fitted with ball cock & float. (overflow in break tank should be fitted by others on site) Unit is packaged with interconnected pipework with isolating, foot and non-return valves, hydraulic accumulator, pressure gauge and SCL pump control pressure switch interwired to a terminal box for easy on-site connection. High and low SCL pressure switches assembled on independent manifold interwired with separate terminal box for high and low system pressure indication.

All the above components are assembled on a 3mm mild steel galvanized base plate, fully tested and painted prior to dispatch from our works.

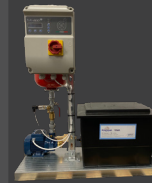
Other models in the range:



Model:

Pressmatic
IPP137 / AS

Stock Code: 1195851



Model:

Pressmatic
IPP147D / AS

Stock Code: 1195852



Model:

Pressmatic
IPP247D / AS

Stock Code: 1195853



Model:

Pressmatic
IPP257D / AS

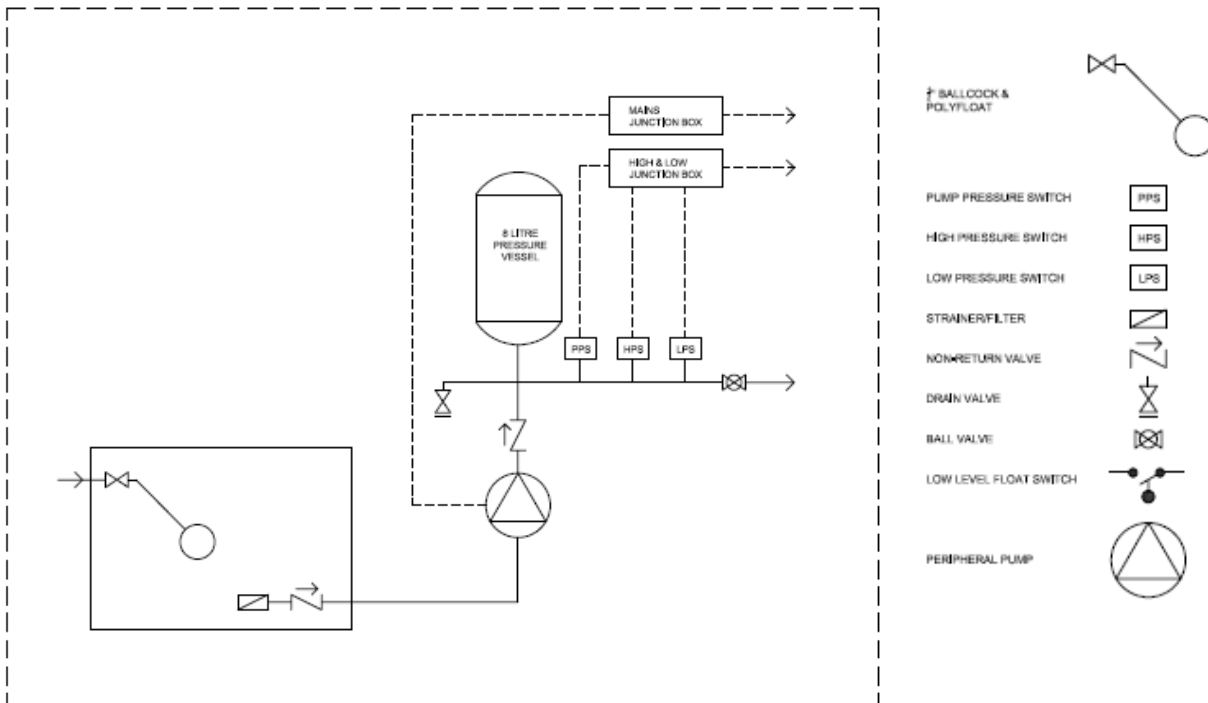
Stock Code: 1195854

Pressmatic Selection Guide

Type	Duty	Duty / Standby	Pump Inlet Strainer	Pump Inlet NRV	Pump Discharge NRV	Pump Trip Detection	Pump Cascade Function	Pump Activation Counter	Pump Auto-Rotate	Pump Alarms	Single Break Tank	Dual Break Tank	Pressure Switch Control	High & Low Mechanical Pressure Switches	Digital High & Low Settings	Pressure Transducer Control	8 Litre Pressure Accumulator	Microprocessor with Digital Display	Password Protection	Manual Run	Low Water Float Switch	Low Water Alarm	Low Glycol Alarm	Configurable Relay Outputs	Mains Water Ballcock	Cold Fill Pressure 1.00 - 3.00 Bar	Cold Fill Pressure 1.00 - 6.00 Bar	Service Request Facility	Configurable Overload	Zero Bar Calibration
IPP127/AS	•	•	•	•	•						•	•	•	•			•							•	•					
IPP127/BS	•	•	•	•	•						•	•	•	•			•							•	•	•				
IPP137/AS	•	•	•	•	•						•	•	•	•			•							•	•					
IPP137/BS	•	•	•	•	•						•	•	•	•			•							•	•	•				
IPP147D/AS	•	•	•	•	•	•	•	•	•	•	•	•	•	•	•	•	•	•	•	•	•	•	•	•	•	•	•	•	•	
IPP147D/BS	•	•	•	•	•	•	•	•	•	•	•	•	•	•	•	•	•	•	•	•	•	•	•	•	•	•	•	•	•	
IPP247D/AS	•	•	•	•	•	•	•	•	•	•	•	•	•	•	•	•	•	•	•	•	•	•	•	•	•	•	•	•	•	
IPP247D/BS	•	•	•	•	•	•	•	•	•	•	•	•	•	•	•	•	•	•	•	•	•	•	•	•	•	•	•	•	•	
IPP248D/AS	•	•	•	•	•	•	•	•	•	•	•	•	•	•	•	•	•	•	•	•	•	•	•	•	•	•	•	•	•	
IPP248D/BS	•	•	•	•	•	•	•	•	•	•	•	•	•	•	•	•	•	•	•	•	•	•	•	•	•	•	•	•	•	
IPP257D/AS	•	•	•	•	•	•	•	•	•	•	•	•	•	•	•	•	•	•	•	•	•	•	•	•	•	•	•	•	•	
IPP257D/BS	•	•	•	•	•	•	•	•	•	•	•	•	•	•	•	•	•	•	•	•	•	•	•	•	•	•	•	•	•	

• = Included as standard
○ = Optional

Pressmatic IPP127/AS



W www.ipp.ie

E info@ipp.ie