

Boiler Pressurised Top-up Unit

Model: IPP 1 47D/AS
Stock Code: 1195852



Pressmatic IPP147 / AS Single Pump Autofill Unit
Stock Code: 1195852



Pedrollo PKm 60 Pump
Stock Code: 1000009



8ltr Global Sphere Pressure Vessel
Stock Code: 1004918

Features

- Fully Automatic Digital Control Panel with the following features: 4-20mA Microprocessor, Visual alarms: High Pressure, Low Pressure/Level, High/Low amps, Pump Alarms. Door Interlocked Isolator, All Fully Wired in ABS Enclosure.
- Single Pump Unit
- Password Protected
- Digital Display
- Realtime Information
- Continuously Rated Pump
- 1 No. 25 Litre Break Tank c/w Lid - 1/2" Ballcock & Polyfloat
- Low Level Protection Float Switch
- 8 Litre Pressure Vessel
- Non-Return Valves on Suction & Discharge
- Pipework
- Maintenance Drain Valve
- All Pressmatic Units are Factory tested and set at 1.00 Bar Cold Fill Pressure

Electrical Details:

230 Volts / 1
Phase / 50 Hz,
0.37 kW, 2.70
Amps FLC

Dimensions:

0.72 m (l) x 0.35
m (d) x 0.95 m
(h)

Cold Fill Pressure:

50 kPa to 250
kPa (0.50 kPa
– 320kPa is
available on
request)

1 off Pressmatic IPP147D/AS Single Pump Automatic Digital Pressurisation / Make Up Unit, fully packaged with the following standard components.

One off Peripheral pump, One off 25 Litre mains water break tank with dust cover lid, fitted with ball cock, float and low-level float switch for pump protection. (overflow in break tank should be fitted by others on site) Unit is packaged with interconnected pipework with isolating, foot and non-return valves, hydraulic accumulator. 4-20mA Danfoss transmitter interwired with control panel.

Fully automatic single pump digital control panel with digital display, microprocessor, configurable overload settings, pump pressure settings, high pressure setting, low pressure setting, high current setting, low current setting, high voltage setting, low voltage setting, manual mode for testing of unit, running hours. All errors show up on digital display and can be set as BMS output (2 x outputs available, Relay 1 & 2), previous error log, various start up configurations, Control terminal rail, all fully wired in ABS enclosure.

All the above components are assembled on a 3mm mild steel galvanized base plate, fully tested and painted prior to dispatch from our works.

Other models in the range:



Model:

Pressmatic
IPP127 / AS



Model:

Pressmatic
IPP137 / AS



Model:

Pressmatic
IPP247D / AS



Model:

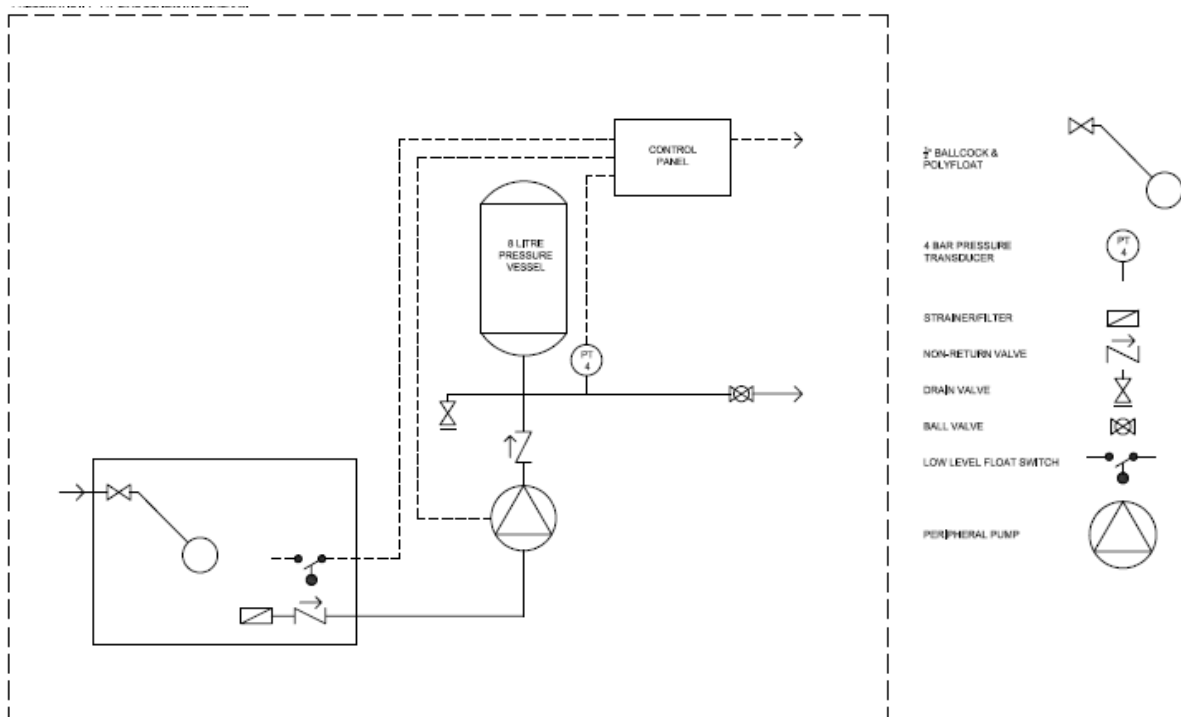
Pressmatic
IPP257D / AS

Pressmatic Selection Guide

Type	Duty	Duty / Standby	Pump Inlet Strainer	Pump Inlet NRV	Pump Discharge NRV	Pump Trip Detection	Pump Cascade Function	Pump Activation Counter	Pump Auto-Rotate	Pump Alarms	Single Break Tank	Dual Break Tank	Pressure Switch Control	High & Low Mechanical Pressure Switches	Digital High & Low Settings	Pressure Transducer Control	8 Litre Pressure Accumulator	Microprocessor with Digital Display	Password Protection	Manual Run	Low Water Float Switch	Low Water Alarm	Low Glycol Alarm	Configurable Relay Outputs	Mains Water Ballcock	Cold Fill Pressure 1.00 - 3.00 Bar	Cold Fill Pressure 1.00 - 6.00 Bar	Service Request Facility	Configurable Overload	Zero Bar Calibration
IPP127/AS	•	•	•	•	•					•			•	•										•	•					
IPP127/BS	•	•	•	•	•					•			•	•										•	•	•				
IPP137/AS	•	•	•	•	•					•			•	•										•	•					
IPP137/BS	•	•	•	•	•					•			•	•										•	•	•				
IPP147D/AS	•	•	•	•	•	•	•	•	•	•	•	•	•	•	•	•	•	•	•	•	•	•	•	•	•	•	•	•	•	
IPP147D/BS	•	•	•	•	•	•	•	•	•	•	•	•	•	•	•	•	•	•	•	•	•	•	•	•	•	•	•	•	•	
IPP247D/AS	•	•	•	•	•	•	•	•	•	•	•	•	•	•	•	•	•	•	•	•	•	•	•	•	•	•	•	•	•	
IPP247D/BS	•	•	•	•	•	•	•	•	•	•	•	•	•	•	•	•	•	•	•	•	•	•	•	•	•	•	•	•	•	
IPP248D/AS	•	•	•	•	•	•	•	•	•	•	•	•	•	•	•	•	•	•	•	•	•	•	•	•	•	•	•	•	•	
IPP248D/BS	•	•	•	•	•	•	•	•	•	•	•	•	•	•	•	•	•	•	•	•	•	•	•	•	•	•	•	•	•	
IPP257D/AS	•	•	•	•	•	•	•	•	•	•	•	•	•	•	•	•	•	•	•	•	•	•	•	•	•	•	•	•	•	
IPP257D/BS	•	•	•	•	•	•	•	•	•	•	•	•	•	•	•	•	•	•	•	•	•	•	•	•	•	•	•	•	•	

• = Included as standard
○ = Optional

Pressmatic IPP147D/AS



W www.ipp.ie

E info@ipp.ie