

## Boiler Pressurised Top-up Unit

Model: IPP 247D/AS  
Stock Code: 1195853



Pressmatic IPP247 / AS Single Pump Autofill Unit  
Stock Code: 1195853



Pedrollo PKm 60 Pump  
Stock Code: 1000009



8ltr Global Sphere Pressure Vessel  
Stock Code: 1004918

### Features

- Fully Automatic Digital Control Panel with the following features: 4-20mA Microprocessor, Automatic Pump Changeover, Visual alarms: High Pressure, Low Pressure/Level, High/Low amps, Pump Alarms. Door Interlocked Isolator, All Fully Wired in ABS Enclosure.
- Twin Pump Unit
- Password Protected
- Digital Display
- Realtime Information
- Continuously Rated Pumps
- 1 No. 25 Litre Break Tank c/w Lid - 1/2" Ballcock & Polyfloat
- Low Level Protection Float Switch
- 8 Litre Pressure Vessel
- Non-Return Valves on Suction & Discharge
- Pipework
- Maintenance Drain Valve
- All Pressmatic Units are Factory tested and set at 1.00 Bar Cold Fill Pressure

### Electrical Details:

230 Volts / 1 Phase / 50 Hz, 0.37 kW, 2.70 Amps FLC

### Dimensions:

0.72 m (l) x 0.35 m (d) x 0.95 m (h)

### Cold Fill Pressure:

50 kPa to 250 kPa (0.50 kPa – 320kPa is available on request)

1 off Pressmatic IPP247D/AS Twin Pump Automatic Digital Pressurisation / Make Up Unit, fully packaged with the following standard components.

Two off Peripheral pumps, duty/stand-by operation. One off 25 Litre mains water break tank with dust cover lid, fitted with ball cock, float and low-level float switch for pump protection. (overflow in break tank should be fitted by others on site) Unit is packaged with interconnected pipework with isolating, foot and non-return valves, hydraulic accumulator. 4-20mA Danfoss transmitter interwired with control panel.

Fully automatic twin pump digital control panel with digital display, microprocessor, configurable overload settings, pump pressure settings, high pressure setting, low pressure setting, high current setting, low current setting, high voltage setting, low voltage setting, manual mode for testing of unit, running hours. All errors show up on digital display and can be set as BMS output (2 x outputs available, Relay 1 & 2), previous error log, various start up configurations, Control terminal rail, all fully wired in ABS enclosure.

All the above components are assembled on a 3mm mild steel galvanized base plate, fully tested and painted prior to dispatch from our works.

## Other models in the range:



Model:

Pressmatic  
IPP127 / AS

Stock Code: 1196038



Model:

Pressmatic  
IPP137D / AS

Stock Code: 1195851



Model:

Pressmatic  
IPP147D / AS

Stock Code: 1195852



Model:

Pressmatic  
IPP257D / AS

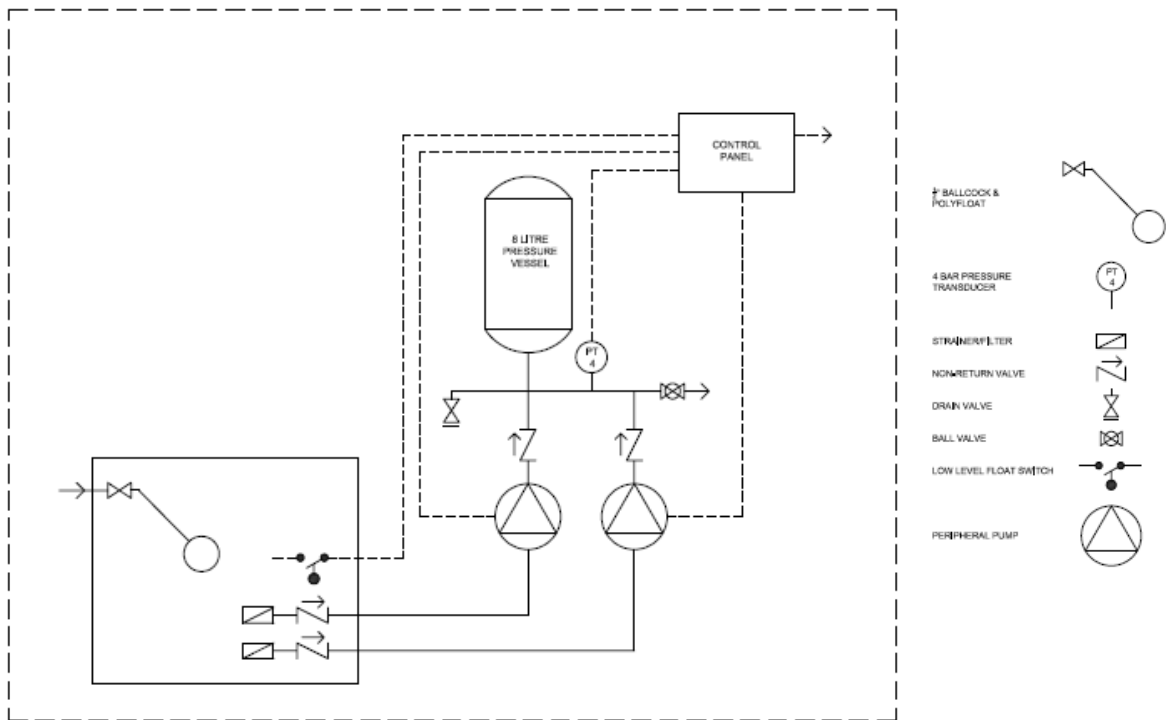
Stock Code: 1195854

## Pressmatic Selection Guide

Type	Duty	Duty / Standby	Pump Inlet Strainer	Pump Inlet NRV	Pump Discharge NRV	Pump Trip Detection	Pump Cascade Function	Pump Activation Counter	Pump Auto-Rotate	Pump Alarms	Single Break Tank	Dual Break Tank	Pressure Switch Control	High & Low Mechanical Pressure Switches	Digital High & Low Settings	Pressure Transducer Control	8 Litre Pressure Accumulator	Microprocessor with Digital Display	Password Protection	Manual Run	Low Water Float Switch	Low Water Alarm	Low Glycol Alarm	Configurable Relay Outputs	Mains Water Ballcock	Cold Fill Pressure 1.00 - 3.00 Bar	Cold Fill Pressure 1.00 - 6.00 Bar	Service Request Facility	Configurable Overload	Zero Bar Calibration
IPP127/AS	•	•	•	•	•					•			•	•			•							•	•					
IPP127/BS	•	•	•	•	•					•			•	•			•							•	•	•				
IPP137/AS	•	•	•	•	•					•			•	•			•							•	•					
IPP137/BS	•	•	•	•	•					•			•	•			•							•	•	•				
IPP147D/AS	•	•	•	•	•	•	•	•	•	•	•	•	•	•	•	•	•	•	•	•	•	•	•	•	•	•	•	•	•	
IPP147D/BS	•	•	•	•	•	•	•	•	•	•	•	•	•	•	•	•	•	•	•	•	•	•	•	•	•	•	•	•	•	
IPP247D/AS	•	•	•	•	•	•	•	•	•	•	•	•	•	•	•	•	•	•	•	•	•	•	•	•	•	•	•	•	•	
IPP247D/BS	•	•	•	•	•	•	•	•	•	•	•	•	•	•	•	•	•	•	•	•	•	•	•	•	•	•	•	•	•	
IPP248D/AS	•	•	•	•	•	•	•	•	•	•	•	•	•	•	•	•	•	•	•	•	•	•	•	•	•	•	•	•	•	
IPP248D/BS	•	•	•	•	•	•	•	•	•	•	•	•	•	•	•	•	•	•	•	•	•	•	•	•	•	•	•	•	•	
IPP257D/AS	•	•	•	•	•	•	•	•	•	•	•	•	•	•	•	•	•	•	•	•	•	•	•	•	•	•	•	•	•	
IPP257D/BS	•	•	•	•	•	•	•	•	•	•	•	•	•	•	•	•	•	•	•	•	•	•	•	•	•	•	•	•	•	

• = Included as standard  
 ◦ = Optional

## Pressmatic IPP247D/AS



**W** [www.ipp.ie](http://www.ipp.ie)

**E** [info@ipp.ie](mailto:info@ipp.ie)