

A photograph of industrial water treatment reverse osmosis systems, overlaid with a dark blue semi-transparent filter. The image shows various pipes, valves, and control panels with gauges.

# INDUSTRIAL AND COMMERCIAL WATER TREATMENT REVERSE OSMOSIS SYSTEMS



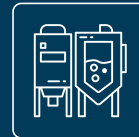
## APPLICATIONS



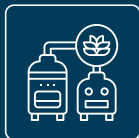
**CAR WASH**  
High-quality rinse water  
for a perfect result



**BOILER FEED**  
Optimal treatment of boiler  
water for removal of impurities  
in the feedwater



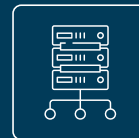
**DISTILLERY**  
High quality, pure water  
used for food & beverage



**BREWERY**  
Correct water  
treatment to enhance  
the taste of beer



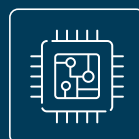
**DAIRY AND MEAT  
PROCESSING**  
High quality, pure water used  
for food & beverage



**DATA CENTRES**  
Water treatment  
technologies for reliable  
operation in data centres



**HEALTHCARE &  
LABORATORIES**  
Demineralized water of high  
purity with low content of  
organic substances and  
microorganisms



**MICROELECTRONICS**  
Ultra-pure water (UPW) for the  
manufacturing of microelectronic  
devices and components



**POWER  
GENERATORS**  
Optimal water  
treatment for high  
pressure steam boilers

# Contents

---

## REVERSE OSMOSIS SYSTEMS

### 8" INOX REVERSE OSMOSIS SYSTEMS

8" INOX	5
EPS INOX MO2 8"	6
EPS INOX MO3 8"	8
EPS INOX MO4 8"	10
EPS INOX MO6 8"	12
EPS INOX MO9 8"	14
EPS INOX MO12 8"	16

### 8" REVERSE OSMOSIS SYSTEMS

8" REVERSE OSMOSIS SYSTEMS	19
EPS MO2 8"	20
EPS MO3 8"	22
EPS MO4 8"	24
EPS MO6 8"	26
EPS MO9 8"	28
EPS MO12 8"	30
EPS MO16 8"	32
EPS MO24 8"	34
EPS MO48 8"	36
PERMEATE FLUSHING ASSEMBLY FOR EPS MO2...MO48 8" RO SYSTEMS	38
RAW WATER BLENDING ASSEMBLY FOR EPS MO2...MO48 8" RO SYSTEMS	39

### 4" REVERSE OSMOSIS SYSTEMS

4" REVERSE OSMOSIS SYSTEMS	41
IOT ADVANCED EPS MO6500 4"	42
IOT ADVANCED EPS MO12000 4"	44
IOT ADVANCED EPS MO24000 4"	46
IOT ADVANCED EPS MO36000 4"	48
PROFESSIONAL EPS MO6500 4"	50
PROFESSIONAL EPS MO12000 4"	52
PROFESSIONAL EPS MO24000 4"	54
PROFESSIONAL EPS MO36000 4"	56
EPS MO5000 4"	58
EPS MO10000 4"	60
EPS MO20000 4"	62
EPS MO30000 4"	64
VERSATILE SET FOR RAW WATER BLENDING (30...240 L/H) OR PERMEATE FLUSHING FOR EPS MO6500, MO12000 4" RO SYSTEMS	66
VERSATILE SET FOR RAW WATER BLENDING (120...1080 L/H) OR PERMEATE FLUSHING FOR EPS MO24000, MO36000 4" RO SYSTEMS	67
RO MEMBRANES	68
CIP UNITS FOR EPS MO SYSTEMS	68
DOSING PUMP KITS	68

## MEMBRANES ELEMENTS

4" EPS MEMBRANES ELEMENTS	70
8" EPS MEMBRANES ELEMENTS	72

## CHEMICALS

APPENDICES	74
8" REVERSE OSMOSIS SYSTEMS	76
COMMERCIAL RO MO5000TP5, MO6500TP5, MO6500TP6	77
COMMERCIAL RO MO10000TP5, MO12000TP5, MO12000TP6	78
COMMERCIAL RO MO20000TP5, MO24000TP5, MO24000TP6	79
COMMERCIAL RO MO30000TP5, MO36000TP5, MO36000TP6	80
SUPPLY WATER QUALITY REQUIREMENTS	81

# 8" INOX

## RO WATER TREATMENT SYSTEMS

EPS provides turnkey solutions for a wide variety of industrial water treatment applications, including pilot studies, design, engineering, manufacturing, construction, commissioning and ongoing maintenance.

Our RO water treatment systems are used in various sectors such as food and beverage; healthcare; data centres; microelectronic manufacturing, power generation and pharmaceutical applications.

Our INOX 8" range has a proven reliability and improved durability in various adverse conditions.

## APPLICATIONS



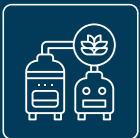
CAR WASH



BOILER FEED



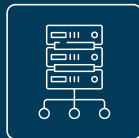
DISTILLERY



BREWERY



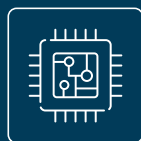
DAIRY AND MEAT  
PROCESSING



DATA CENTRES



HEALTHCARE &  
LABORATORIES



MICROELECTRONICS



POWER  
GENERATORS

## 8" INOX REVERSE OSMOSIS SYSTEMS

### APPLICATIONS

Process water, rinse water, steam boilers, heating and cooling circuits, agriculture, desalination, food and beverage, utility water treatment.

### EQUIPMENT

- Grundfos<sup>®</sup> CR high pressure pump
- 300 psi composite plastic membrane housings
- BB20 filter housings
- Danfoss or Praher motorized valves
- Honeywell or Praher regulating valves
- Piping, valves, instrumentation, frame
- Permeate membrane flushing inlet port
- Raw water blending line port
- Frame mounted casters

### OPTIONS

- Filmtec™ XLE-440 / ECO PRO-440 or Ecosoft ELP-8040 membranes
- Dosing pump for antiscalant or other RO chemicals
- Permeate inlet for permeate membrane flushing
- Raw water blending line
- Break tank c/w forward feed



### 8" INOX REVERSE OSMOSIS SYSTEMS

Code	Product	Flow capacity, m <sup>3</sup> /h (GPH)	Membranes*
M02TI5	EPS INOX M02 RO System	2–2.5 (530–660)	2/80 x 40
M03TI5	EPS INOX M03 RO System	3–4 (800–1 060)	3/80 x 40
M04TI5	EPS INOX M04 RO System	4–5 (1 060–1 320)	4/80 x 40
M06TI5	EPS INOX M06 RO System	6–8 (1 600–2 100)	6/80 x 40
M09TI5	EPS INOX M09 RO System	9–12 (2 400–3 200)	9/80 x 40
M012TI5	EPS INOX M012 RO System	12–15 (3 200–4 000)	12/80 x 40

\* Membranes are not included. Select membrane according to performance requirements. Refer to Membrane Selection Sheet, pg 69-71.

SYSTEM FRAME MADE OF  
AISI 304 STAINLESS STEEL

HIGH PRESSURE PIPELINE MADE  
OF AISI 316 STAINLESS STEEL

## EPS INOX MO2 8" REVERSE OSMOSIS SYSTEM

### APPLICATIONS

Process water, rinse water, steam boilers, heating and cooling circuits, agriculture, desalination, food and beverage, utility water treatment.

### EQUIPMENT

- Grundfos® CR 5-20 high pressure pump..... 1 pcs
- 8040 membrane housing..... 2 pcs
- BB20 sediment prefilter..... 2 pcs
- Motorized valves..... 2 pcs  
(feed water in, flush out)
- Balancing valves..... 2 pcs  
(concentrate reject, concentrate recycle)
- Electrical panel with OC5000 controller..... 1 set
- Set of instruments..... 1 set
- AISI 316 Stainless steel high pressure line..... 1 set
- AISI 304 Stainless steel frame..... 1 set
- Frame mounted casters..... 1 set

### OPTIONS

- Filmtec™ XLE-440 / ECO PRO-440 or Ecosoft ELP-8040 membranes
- Dosing pump for antiscalant or other RO chemicals
- Permeate inlet for permeate membrane rinse
- Raw water mixing line
- Break tank c/w forward feed

### CONNECTION PORT SIZES:

- Influent water..... G 1½"
- Permeate..... G 1"
- Concentrate..... G 1½"
- CIP inlet..... G 1½"
- CIP return..... G 1½"
- CIP permeate..... G ½"
- Antiscalant dosing port..... G ½"



*EPS reserves the right to amend the product's system architecture without materially affecting functionality or usability*

### PHYSICAL PARAMETERS:

- Approximate dimensions (bare)..... 1.90 × 1.10 × 1.95 m  
(Width × Depth × Height, ±5%)
- Approximate dimensions (crated)..... 2.10 × 1.20 × 2.22 m  
(Width × Depth × Height, ±5%)
- Approximate weight (bare)..... 300 kg
- Approximate weight (crated)..... 390 kg

### EPS INOX MO2 8" REVERSE OSMOSIS SYSTEM

Code	Product	Flow capacity, m <sup>3</sup> /h (GPH)	Membranes*
M02T15	EPS INOX MO2 RO System	2–2.5 (530–660)	2/80 x 40

\* Membranes are not included. Select membrane according to performance requirements. Refer to Membrane Selection Sheet, pg 69-71.

# 8" INOX REVERSE OSMOSIS SYSTEMS

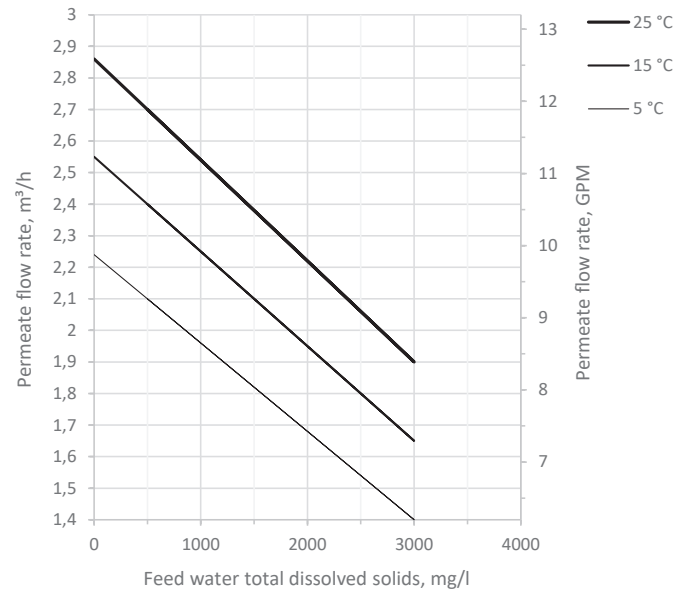
## TECHNICAL SPECIFICATION

Permeate capacity <sup>1</sup>	2 m <sup>3</sup> /h
Permeate recovery <sup>2</sup>	75%
Maximum TDS	4500 mg/L
Influent flow demand	2.7...4 m <sup>3</sup> /h (service) 10 m <sup>3</sup> /h (rinse)
Operating pressure	8...12 bar
Maximum pressure	14 bar
Electrical requirements	380...400 V, 50 Hz (3 ph)
Electrical power	3 kW
Prefilter rating	5 μm

<sup>1</sup> depends on feed water TDS, temperature, and permeate recovery — see graph on the right

<sup>2</sup> for low scaling/fouling water

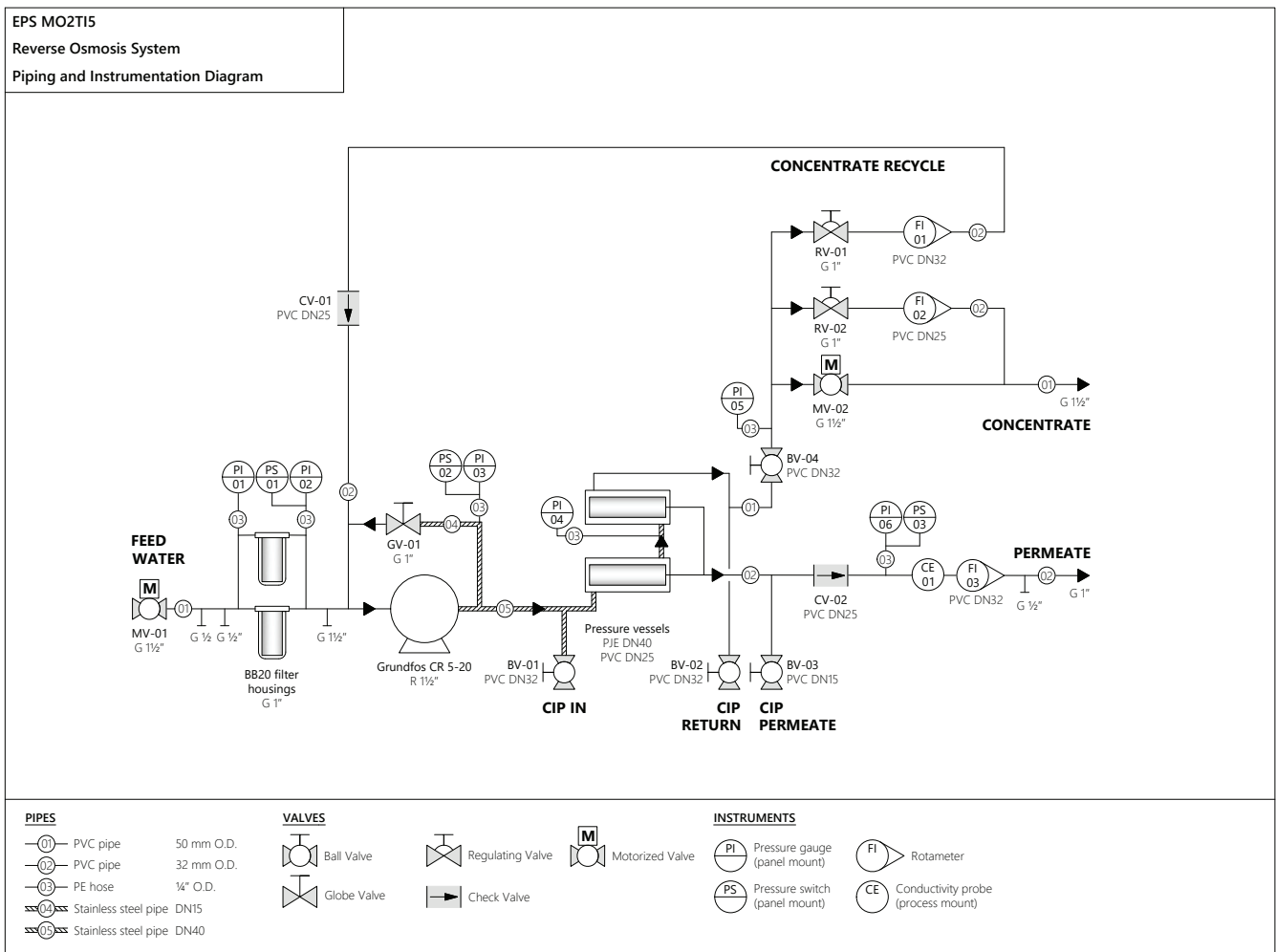
### MO2 RO FLOW CAPACITY GRAPH (WITH XLE-440 MEMBRANES)



Permeate flow rates are calculated under the following conditions:

- 2 bar influent water pressure
- 0 bar backpressure in the permeate line
- fresh membranes
- XLE-440 membrane

## PIPES AND INSTRUMENTS DIAGRAM



SYSTEM FRAME MADE OF  
AISI 304 STAINLESS STEEL

HIGH PRESSURE PIPELINE MADE  
OF AISI 316 STAINLESS STEEL

## EPS INOX MO3 8" REVERSE OSMOSIS SYSTEM

### APPLICATIONS

Process water, rinse water, steam boilers, heating and cooling circuits, agriculture, desalination, food and beverage, utility water treatment.

### EQUIPMENT:

- Grundfos® CR 10-12 high pressure pump..... 1 pcs
- 8040 membrane housing..... 3 pcs
- BB20 sediment prefilter..... 3 pcs
- Motorized valves..... 2 pcs  
(feed water in, flush out)
- Balancing valves..... 2 pcs  
(concentrate reject, concentrate recycle)
- Electrical panel with OC5000 controller..... 1 set
- Set of instruments..... 1 set
- AISI 316 Stainless steel high pressure line..... 1 set
- AISI 304 Stainless steel frame..... 1 set
- Frame mounted casters..... 1 set

### OPTIONS

- Filmtec™ XLE-440 / ECO PRO-440 or Ecosoft ELP-8040 membranes
- Dosing pump for antiscalant or other RO chemicals
- Permeate inlet for permeate membrane rinse
- Raw water mixing line
- Break tank c/w forward feed

### CONNECTION PORT SIZES:

Influent water.....	G 1½"
Permeate.....	G 1"
Concentrate.....	G 1½"
CIP inlet.....	G 1½"
CIP return.....	G 1½"
CIP permeate.....	G ½"
Antiscalant dosing port.....	G ½"



*EPS reserves the right to amend the product's system architecture without materially affecting functionality or usability*

### PHYSICAL PARAMETERS:

Approximate dimensions (bare).....	1.90 × 1.10 × 1.95 m (Width × Depth × Height, ±5%)
Approximate dimensions (crated).....	2.10 × 1.20 × 2.22 m (Width × Depth × Height, ±5%)
Approximate weight (bare).....	340 kg
Approximate weight (crated).....	430 kg

### EPS INOX MO3 8" REVERSE OSMOSIS SYSTEM

Code	Product	Flow capacity, m³/h (GPH)	Membranes*
M03TI5	EPS INOX MO3 RO System	3–4 (800–1 060)	3/80 x 40

\* Membranes are not included. Select membrane according to performance requirements. Refer to Membrane Selection Sheet, pg 69-71.



# 8" INOX REVERSE OSMOSIS SYSTEMS

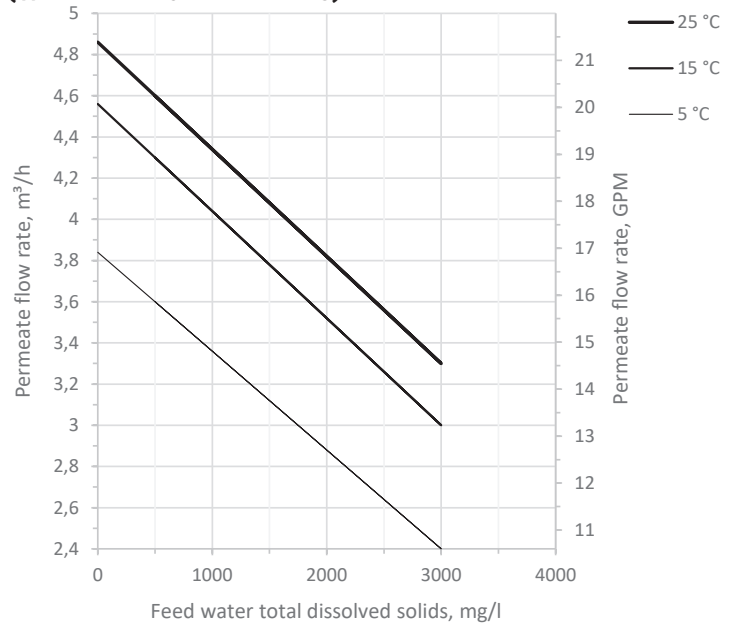
## TECHNICAL SPECIFICATION

Permeate capacity <sup>1</sup>	3 m <sup>3</sup> /h
Permeate recovery <sup>2</sup>	75%
Maximum TDS	4500 mg/L
Influent flow demand	4...6 m <sup>3</sup> /h (service) 10 m <sup>3</sup> /h (rinse)
Operating pressure	8...12 bar
Maximum pressure	14 bar
Electrical requirements	380...400 V, 50 Hz (3 ph)
Electrical power	4 kW
Prefilter rating	5 µm

<sup>1</sup> depends on feed water TDS, temperature, and permeate recovery — see graph on the right

<sup>2</sup> for low scaling/fouling water

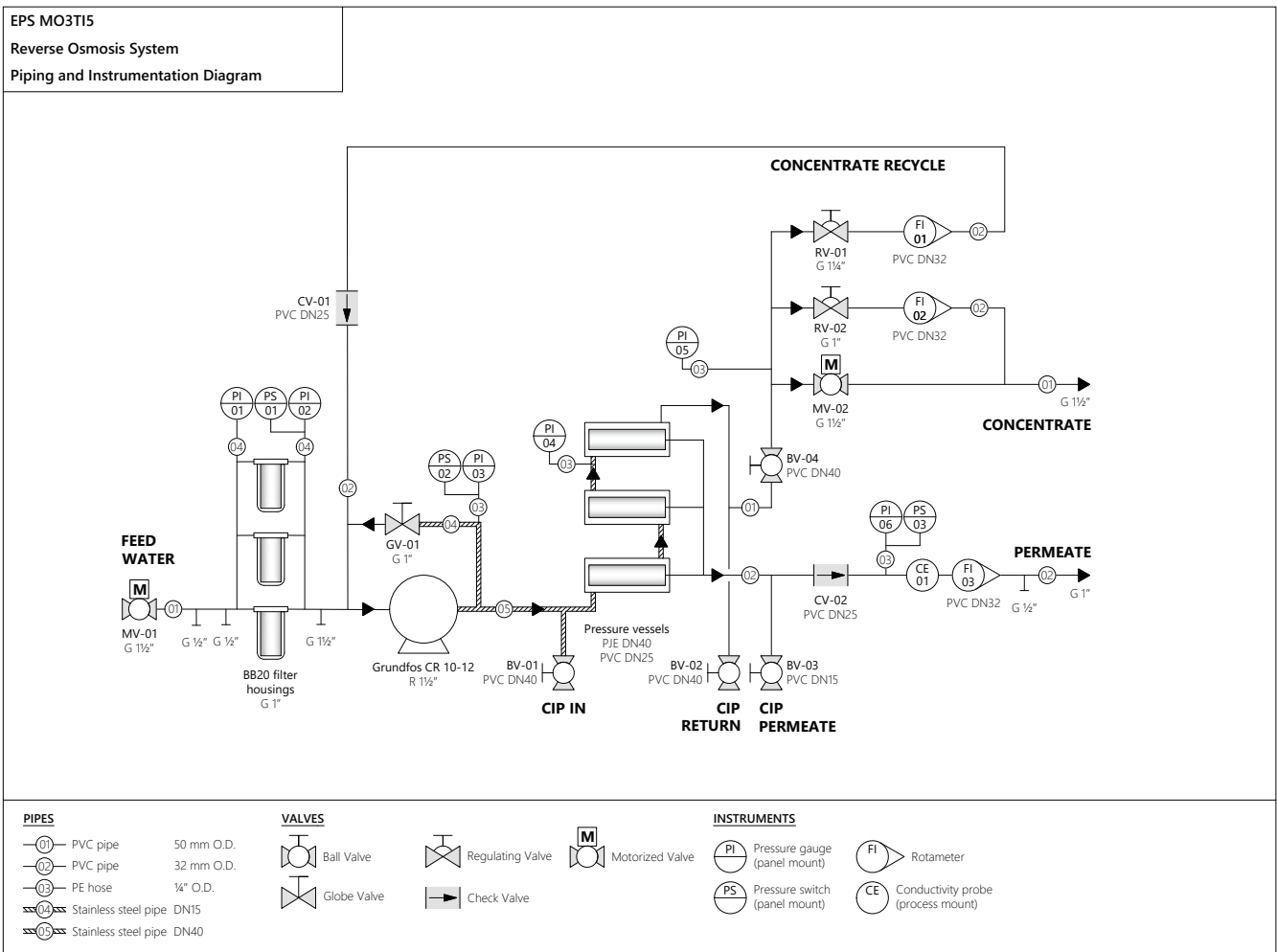
### MO3 RO FLOW CAPACITY GRAPH (WITH XLE-440 MEMBRANES)



Permeate flow rates are calculated under the following conditions:

- 2 bar influent water pressure
- 0 bar backpressure in the permeate line
- fresh membranes
- XLE-440 membrane

## PIPES AND INSTRUMENTS DIAGRAM



SYSTEM FRAME MADE OF  
AISI 304 STAINLESS STEEL

HIGH PRESSURE PIPELINE MADE  
OF AISI 316 STAINLESS STEEL

## EPS INOX MO4 8" REVERSE OSMOSIS SYSTEM

### APPLICATIONS

Process water, rinse water, steam boilers, heating and cooling circuits, agriculture, desalination, food and beverage, utility water treatment.

### EQUIPMENT:

- Grundfos® CR 10-12 high pressure pump..... 1 pcs
- 8040-2 membrane housing..... 2 pcs
- BB20 sediment prefilter..... 3 pcs
- Motorized valves..... 2 pcs  
(feed water in, flush out)
- Balancing valves..... 2 pcs  
(concentrate reject, concentrate recycle)
- Electrical panel with OC5000 controller..... 1 set
- Set of instruments..... 1 set
- AISI 316 Stainless steel high pressure line..... 1 set
- AISI 304 Stainless steel frame..... 1 set
- Frame mounted casters..... 1 set



*EPS reserves the right to amend the product's system architecture without materially affecting functionality or usability*

### OPTIONS

- Filmtec™ XLE-440 / ECO PRO-440 or Ecosoft ELP-8040 membranes
- Dosing pump for antiscalant or other RO chemicals
- Permeate inlet for permeate membrane rinse
- Raw water mixing line
- Break tank c/w forward feed

### CONNECTION PORT SIZES:

- Influent water..... G 1½"
- Permeate..... G 1"
- Concentrate..... G 1½"
- CIP inlet..... G 1½"
- CIP return..... G 1½"
- CIP permeate..... G ½"
- Antiscalant dosing port..... G ½"

### PHYSICAL PARAMETERS:

- Approximate dimensions (bare)..... 2.90 x 1.20 x 1.95 m  
(Width x Depth x Height, ±5%)
- Approximate dimensions (crated)..... 3.05 x 1.37 x 2.24 m  
(Width x Depth x Height, ±5%)
- Approximate weight (bare)..... 340 kg
- Approximate weight (crated)..... 500 kg

### EPS INOX MO4 8" REVERSE OSMOSIS SYSTEM

Code	Product	Flow capacity, m <sup>3</sup> /h (GPH)	Membranes*
M04TI5	EPS INOX MO4 RO System	4–5 (1 060–1 320)	4/80 x 40

\* Membranes are not included. Select membrane according to performance requirements. Refer to Membrane Selection Sheet, pg 69-71.

# 8" INOX REVERSE OSMOSIS SYSTEMS

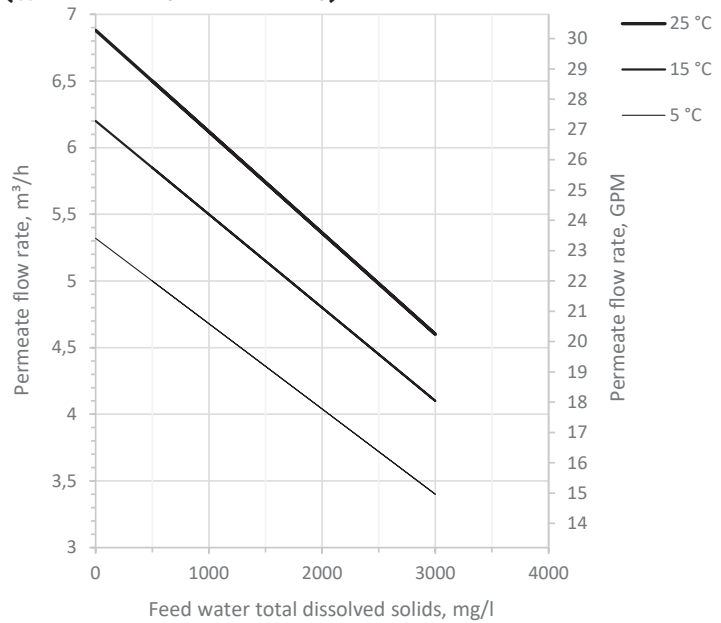
## TECHNICAL SPECIFICATION

Permeate capacity <sup>1</sup>	4 m <sup>3</sup> /h
Permeate recovery <sup>2</sup>	75%
Maximum TDS	4500 mg/L
Influent flow demand	5.5...8 m <sup>3</sup> /h (service) 10 m <sup>3</sup> /h (rinse)
Operating pressure	8...12 bar
Maximum pressure	14 bar
Electrical requirements	380...400 V, 50 Hz (3 ph)
Electrical power	4 kW
Prefilter rating	5 µm

<sup>1</sup> depends on feed water TDS, temperature, and permeate recovery — see graph on the right

<sup>2</sup> for low scaling/fouling water

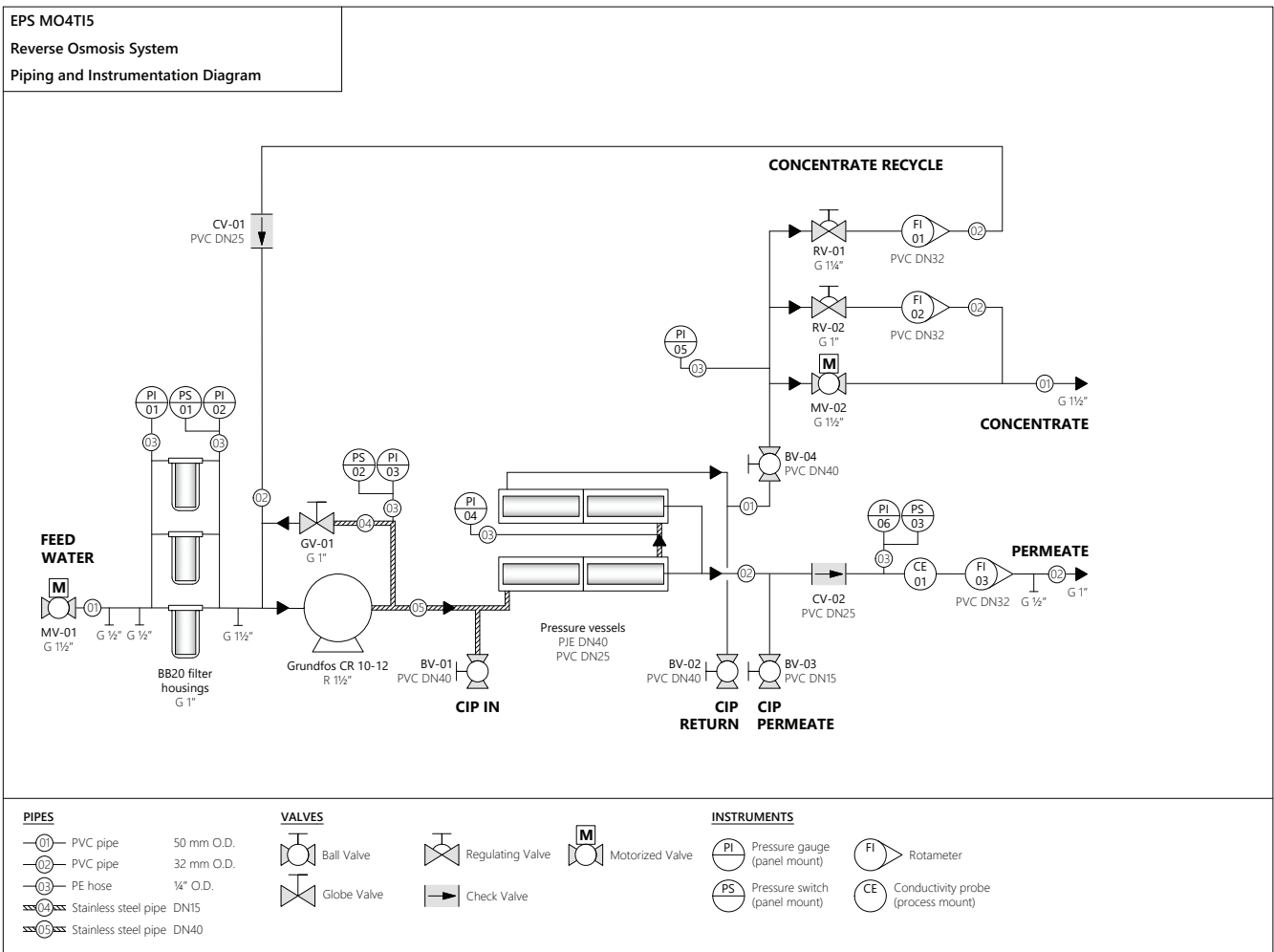
### MO4 RO FLOW CAPACITY GRAPH (WITH XLE-440 MEMBRANES)



Permeate flow rates are calculated under the following conditions:

- 2 bar influent water pressure
- 0 bar backpressure in the permeate line
- fresh membranes
- XLE-440 membrane

## PIPES AND INSTRUMENTS DIAGRAM



SYSTEM FRAME MADE OF  
AISI 304 STAINLESS STEEL

HIGH PRESSURE PIPELINE MADE  
OF AISI 316 STAINLESS STEEL

## EPS INOX MO6 8" REVERSE OSMOSIS SYSTEM

### APPLICATIONS

Process water, rinse water, steam boilers, heating and cooling circuits, agriculture, desalination, food and beverage, utility water treatment.

### EQUIPMENT:

- Grundfos® CR 15-9 high pressure pump..... 1 pcs
- 8040-2 membrane housing..... 3 pcs
- BB20 sediment prefilter..... 4 pcs
- Motorized valves..... 2 pcs  
(feed water in, flush out)
- Balancing valves..... 2 pcs  
(concentrate reject, concentrate recycle)
- Electrical panel with OC5000 controller..... 1 set
- Set of instruments..... 1 set
- AISI 316 Stainless steel high pressure line..... 1 set
- AISI 304 Stainless steel frame..... 1 set
- Frame mounted casters..... 1 set



*EPS reserves the right to amend the product's system architecture without materially affecting functionality or usability*

### OPTIONS

- Filmtec™ XLE-440 / ECO PRO-440 or Ecosoft ELP-8040 membranes
- Dosing pump for antiscalant or other RO chemicals
- Permeate inlet for permeate membrane rinse
- Raw water mixing line
- Break tank c/w forward feed

### CONNECTION PORT SIZES:

- Influent water..... G 2"
- Permeate..... G 1½"
- Concentrate..... G 2"
- CIP inlet..... G 1½"
- CIP return..... G 1½"
- CIP permeate..... G 1"
- Antiscalant dosing port..... G ½"

### PHYSICAL PARAMETERS:

- Approximate dimensions (bare)..... 2.90 x 1.20 x 1.95 m  
(Width x Depth x Height, ±5%)
- Approximate dimensions (crated)..... 3.05 x 1.37 x 2.24 m  
(Width x Depth x Height, ±5%)
- Approximate weight (bare)..... 560 kg
- Approximate weight (crated)..... 720 kg

### EPS INOX MO6 8" REVERSE OSMOSIS SYSTEM

Code	Product	Flow capacity, m <sup>3</sup> /h (GPH)	Membranes*
M06T15	EPS INOX MO6 RO System	6-8 (1 600-2 100)	6/80 x 40

\* Membranes are not included. Select membrane according to performance requirements. Refer to Membrane Selection Sheet, pg 69-71.

# 8" INOX REVERSE OSMOSIS SYSTEMS

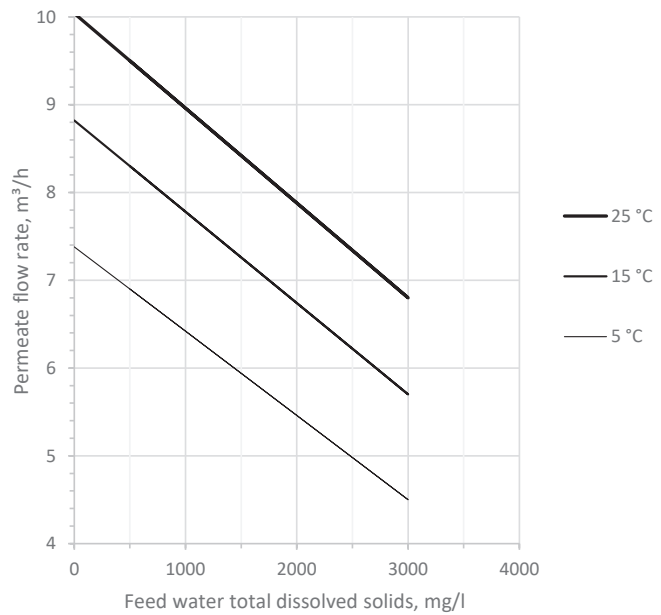
## TECHNICAL SPECIFICATION

Permeate capacity <sup>1</sup>	6 m <sup>3</sup> /h
Permeate recovery <sup>2</sup>	75%
Maximum TDS	4500 mg/L
Influent flow demand	8...12 m <sup>3</sup> /h (service) 20 m <sup>3</sup> /h (rinse)
Operating pressure	8...12 bar
Maximum pressure	14 bar
Electrical requirements	380...400 V, 50 Hz (3 ph)
Electrical power	7.5 kW
Prefilter rating	5 μm

<sup>1</sup> depends on feed water TDS, temperature, and permeate recovery — see graph on the right

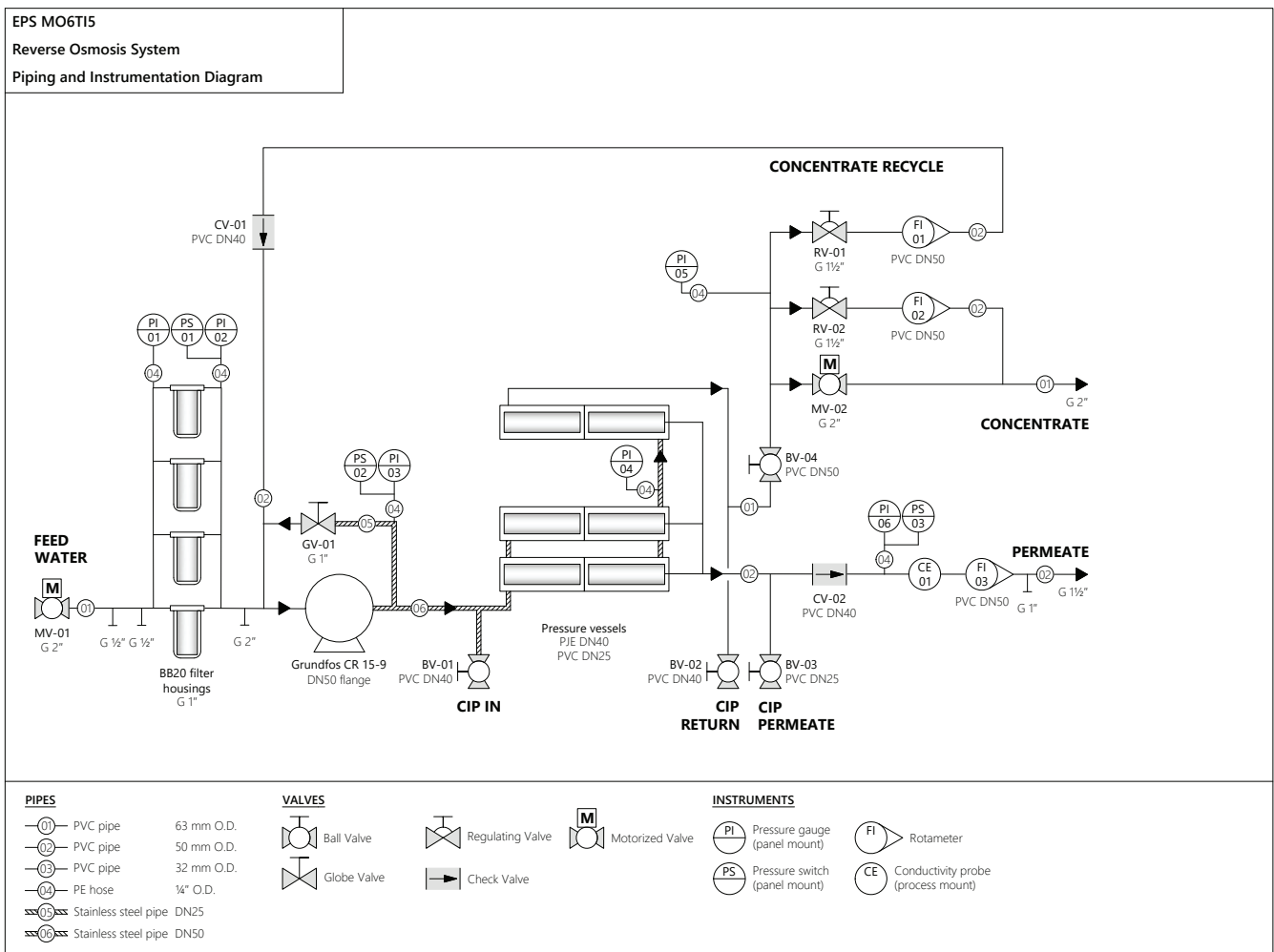
<sup>2</sup> for low scaling/fouling water

## MO6 RO FLOW CAPACITY GRAPH (WITH XLE-440 MEMBRANES)



Permeate flow rates are calculated under the following conditions:  
 • 2 bar influent water pressure  
 • 0 bar backpressure in the permeate line  
 • fresh membranes  
 • XLE-440 membrane

## PIPES AND INSTRUMENTS DIAGRAM



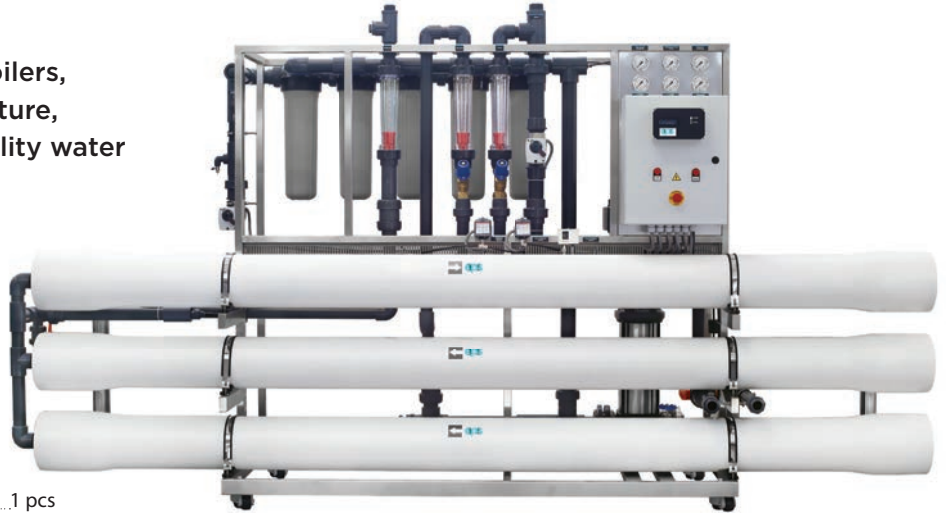
SYSTEM FRAME MADE OF  
AISI 304 STAINLESS STEEL

HIGH PRESSURE PIPELINE MADE  
OF AISI 316 STAINLESS STEEL

## EPS INOX MO9 8" REVERSE OSMOSIS SYSTEM

### APPLICATIONS

Process water, rinse water, steam boilers, heating and cooling circuits, agriculture, desalination, food and beverage, utility water treatment.



*EPS reserves the right to amend the product's system architecture without materially affecting functionality or usability*

### EQUIPMENT:

- Grundfos® CR 15-9 high pressure pump..... 1 pcs
- 8040-3 membrane housing..... 3 pcs
- BB20 sediment prefilter..... 5 pcs
- Motorized valves..... 2 pcs  
(feed water in, flush out)
- Balancing valves..... 2 pcs  
(concentrate reject, concentrate recycle)
- Electrical panel with Ecosoft controller OC5000..... 1 set
- Set of instruments..... 1 set
- AISI 316 Stainless steel high pressure line..... 1 set
- AISI 304 Stainless steel frame..... 1 set
- Frame mounted casters..... 1 set

### OPTIONS

- Filmtec™ XLE-440 / ECO PRO-440 or Ecosoft ELP-8040 membranes
- Dosing pump for antiscalant or other RO chemicals
- Permeate inlet for permeate membrane rinse
- Raw water mixing line
- Break tank c/w forward feed

### CONNECTION PORT SIZES:

Influent water.....	G 2"
Permeate.....	G 1½"
Concentrate.....	G 2"
CIP inlet.....	G 1½"
CIP return.....	G 1½"
CIP permeate.....	G 1"
Antiscalant dosing port.....	G ½"

### PHYSICAL PARAMETERS:

Approximate dimensions (bare).....	3.90 × 1.20 × 1.95 m (Width × Depth × Height, ±5%)
Approximate dimensions (crated).....	4.10 × 1.37 × 2.24 m (Width × Depth × Height, ±5%)
Approximate weight (bare).....	600 kg
Approximate weight (crated).....	920 kg

### EPS INOX MO9 8" REVERSE OSMOSIS SYSTEM

Code	Product	Flow capacity, m <sup>3</sup> /h (GPH)	Membranes*
M09T15	EPS INOX MO9 RO System	9–12 (2 400–3 200)	9/80 x 40

\* Membranes are not included. Select membrane according to performance requirements. Refer to Membrane Selection Sheet, pg 69-71.

# 8" INOX REVERSE OSMOSIS SYSTEMS

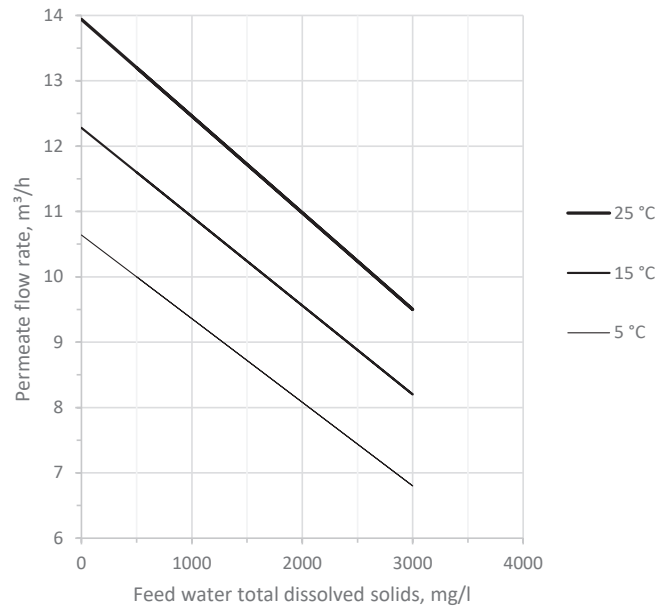
## TECHNICAL SPECIFICATION

Permeate capacity <sup>1</sup>	9 m <sup>3</sup> /h
Permeate recovery <sup>2</sup>	75%
Maximum TDS	4500 mg/L
Influent flow demand	12...16 m <sup>3</sup> /h (service) 20 m <sup>3</sup> /h (rinse)
Operating pressure	8...12 bar
Maximum pressure	14 bar
Electrical requirements	380...400 V, 50 Hz (3 ph)
Electrical power	7.5 kW
Prefilter rating	5 µm

<sup>1</sup> depends on feed water TDS, temperature, and permeate recovery — see graph on the right

<sup>2</sup> for low scaling/fouling water

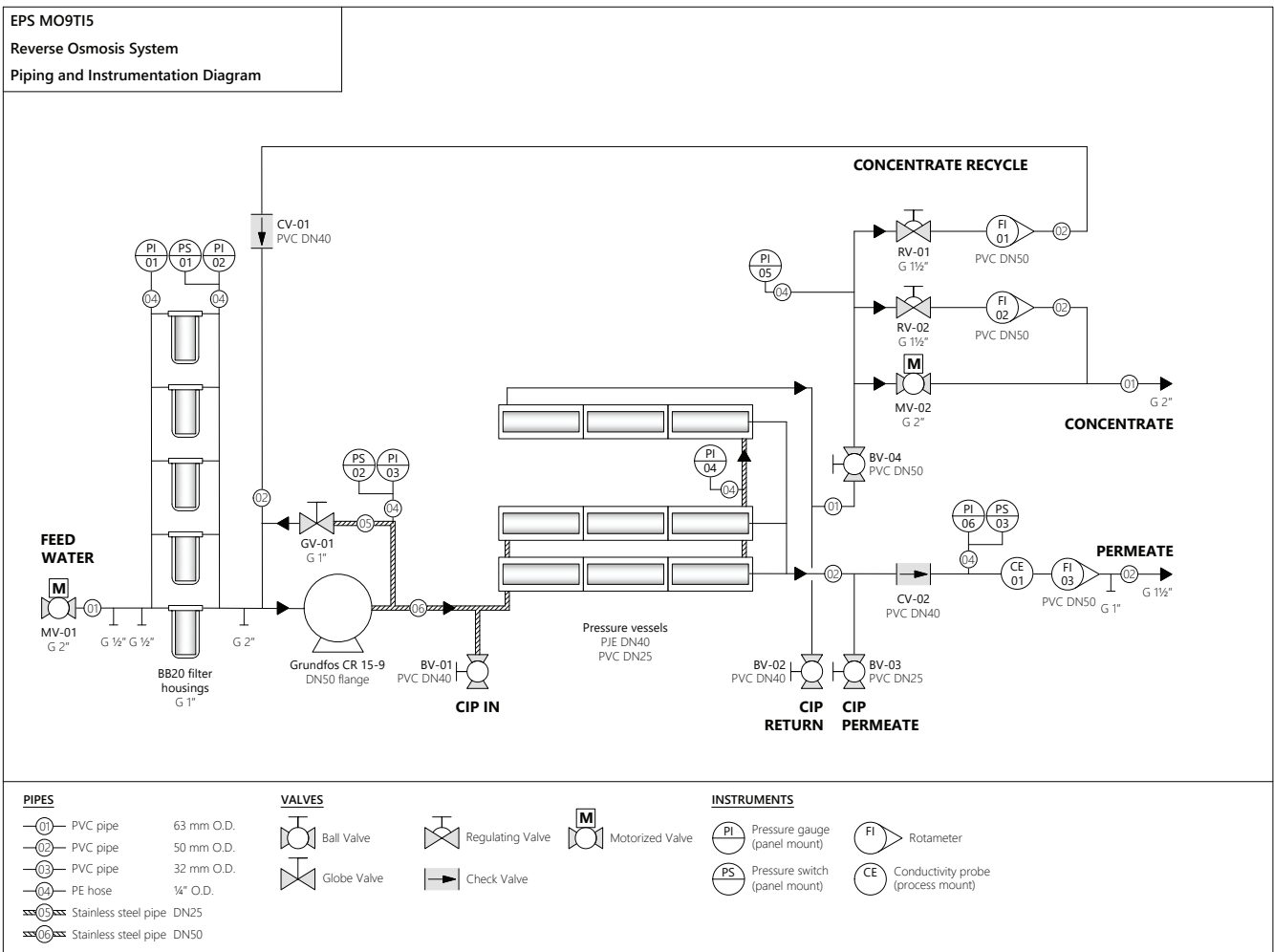
### MO9 RO FLOW CAPACITY GRAPH (WITH XLE-440 MEMBRANES)



Permeate flow rates are calculated under the following conditions:

- 2 bar influent water pressure
- 0 bar backpressure in the permeate line
- fresh membranes
- XLE-440 membrane

## PIPES AND INSTRUMENTS DIAGRAM



SYSTEM FRAME MADE OF  
AISI 304 STAINLESS STEEL

HIGH PRESSURE PIPELINE MADE  
OF AISI 316 STAINLESS STEEL

## EPS INOX MO12 8" REVERSE OSMOSIS SYSTEM

### APPLICATIONS

Process water, rinse water, steam boilers, heating and cooling circuits, agriculture, desalination, food and beverage, utility water treatment.



### EQUIPMENT:

- Grundfos® CR 20-10 high pressure pump.....1 pcs
- 8040-3 membrane housing.....4 pcs
- Stainless steel housing with 7 PP 2,5 × 40" filters.....5 pcs
- Motorized valves.....2 pcs  
(feed water in, flush out)
- Balancing valves.....2 pcs  
(concentrate reject, concentrate recycle)
- Electrical panel with Ecosoft controller OC5000.....1 set
- Set of instruments.....1 set
- AISI 316 Stainless steel high pressure line.....1 set
- AISI 304 Stainless steel frame.....1 set
- Frame mounted casters.....1 set

*EPS reserves the right to amend the product's system architecture without materially affecting functionality or usability*

### OPTIONS

- Filmtec™ XLE-440 / ECO PRO-440 or Ecosoft ELP-8040 membranes
- Dosing pump for antiscalant or other RO chemicals
- Permeate inlet for permeate membrane rinse
- Raw water mixing line
- Break tank c/w forward feed

### CONNECTION PORT SIZES:

Influent water.....	DN65 (flange)
Permeate.....	DN50 (G 2")
Concentrate.....	DN65 (flange)
CIP inlet.....	DN40 (G 1½")
CIP return.....	DN40 (G 1½")
CIP permeate.....	DN25 (G 1")

### PHYSICAL PARAMETERS:

Approximate dimensions (bare).....	4.00 × 1.40 × 2.10 m (Width × Depth × Height, ±5%)
Approximate weight (bare).....	820 kg
Approximate weight (crated).....	1100 kg

### EPS INOX MO9 8" REVERSE OSMOSIS SYSTEM

Code	Product	Flow capacity, m <sup>3</sup> /h (GPH)	Membranes*
M012T15	EPS INOX MO9 RO System	12–15 (3 200–4 000)	12/80 x 40

\* Membranes are not included. Select membrane according to performance requirements. Refer to Membrane Selection Sheet, pg 69-71.



# 8" INOX REVERSE OSMOSIS SYSTEMS

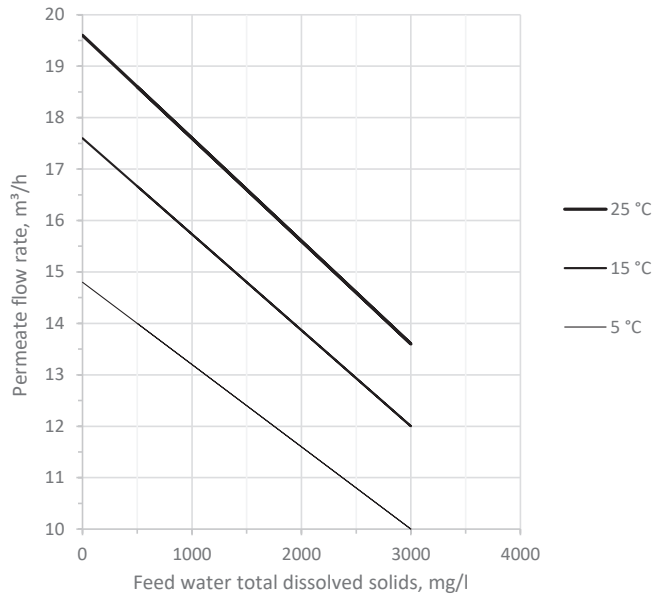
## TECHNICAL SPECIFICATION

Permeate capacity <sup>1</sup>	12 m <sup>3</sup> /h
Permeate recovery <sup>2</sup>	75%
Maximum TDS	4500 mg/L
Influent flow demand	16...20 m <sup>3</sup> /h
Operating pressure	8...12 bar
Maximum pressure	14 bar
Electrical requirements	380...400 V, 50 Hz (3 ph)
Electrical power	11 kW
Prefilter rating	5 µm

<sup>1</sup> depends on feed water TDS, temperature, and permeate recovery — see graph on the right

<sup>2</sup> for low scaling/fouling water

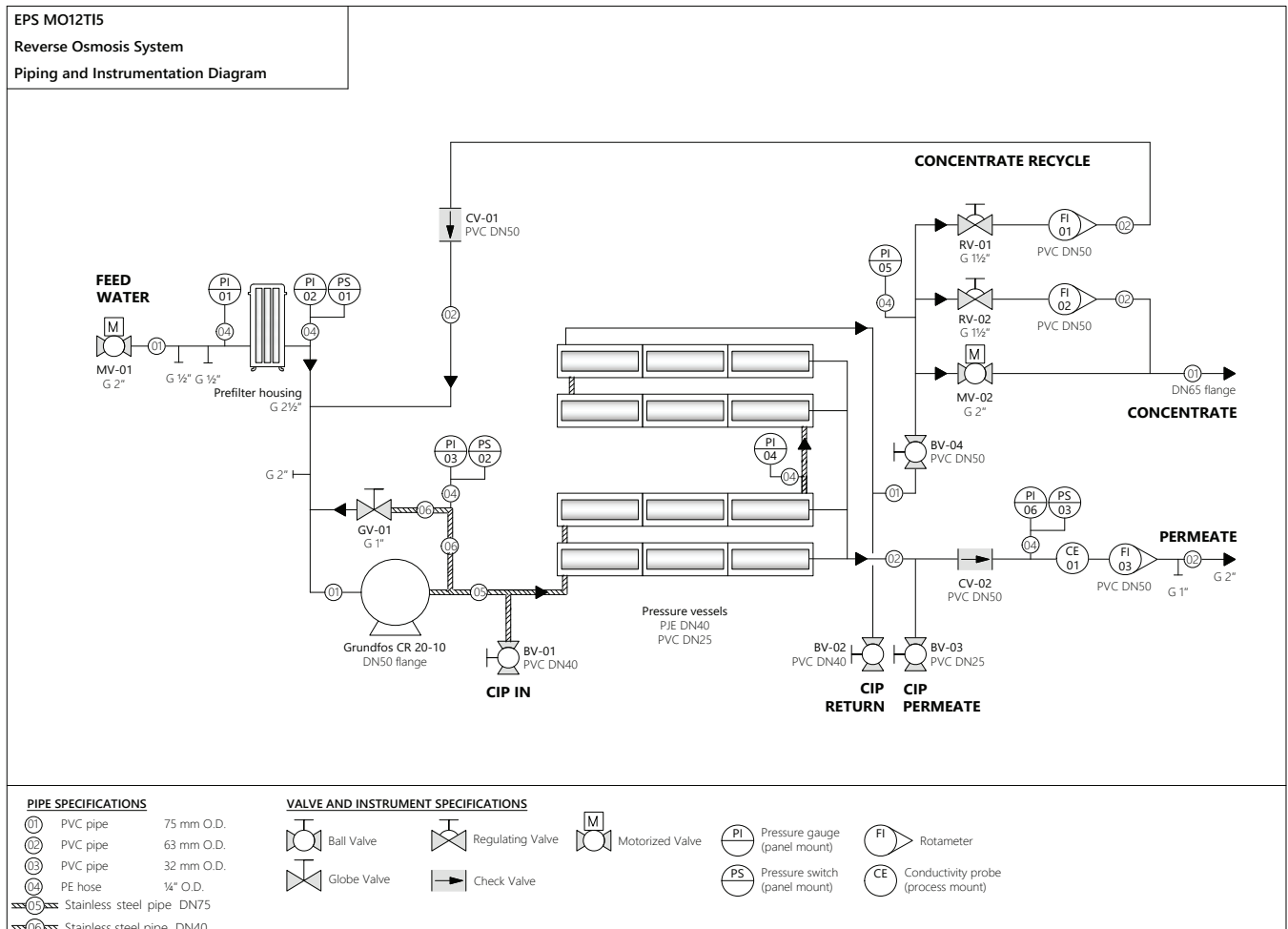
## MO12 RO FLOW CAPACITY GRAPH (WITH XLE-440 MEMBRANES)



Permeate flow rates are calculated under the following conditions:

- 2 bar influent water pressure
- 0 bar backpressure in the permeate line
- fresh membranes
- XLE-440 membrane

## PIPES AND INSTRUMENTS DIAGRAM



# 8"

## STANDARD RO WATER TREATMENT SYSTEMS

EPS provides turnkey solutions for a wide variety of industrial water treatment applications, including pilot studies, design, engineering, manufacturing, construction, commissioning and ongoing maintenance.

Our RO water treatment systems are used in various sectors such as food and beverage; healthcare; data centres; microelectronic manufacturing, power generation and pharmaceutical applications.

### APPLICATIONS



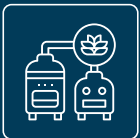
CAR WASH



BOILER FEED



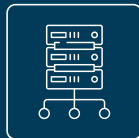
DISTILLERY



BREWERY



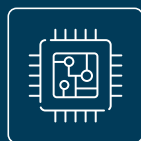
DAIRY AND MEAT  
PROCESSING



DATA CENTRES



HEALTHCARE &  
LABORATORIES



MICROELECTRONICS



POWER  
GENERATORS

TO UNDERSTAND THE DIFFERENCE BETWEEN THE STANDARD AND INOX RANGE

## 8" STANDARD REVERSE OSMOSIS SYSTEMS

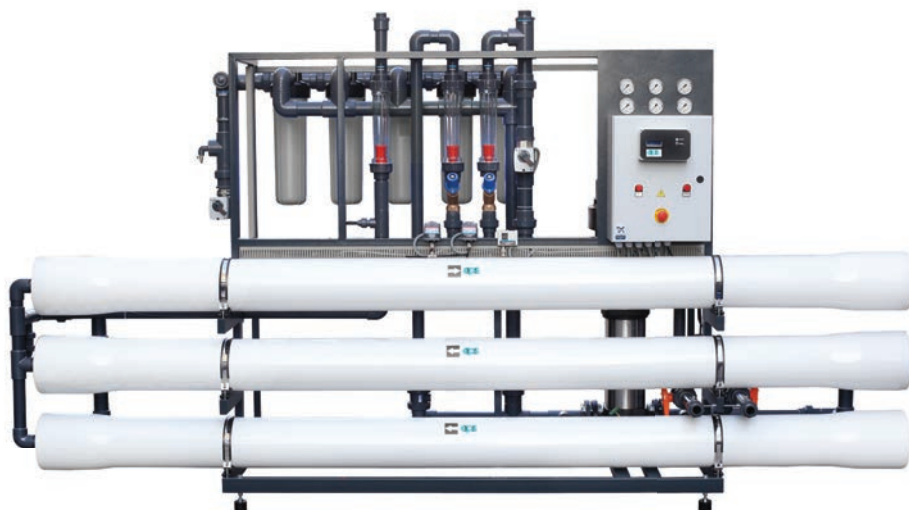
**SEE APPENDIX 1**

### APPLICATIONS

Process water, rinse water, steam boilers, heating and cooling circuits, agriculture, desalination, food and beverage, utility water treatment.

### EQUIPMENT

- Grundfos® CR high pressure pump
- 300 psi composite plastic membrane housings
- BB20 or stainless steel multi filter housings
- Electrical cabinet with controller
- Danfoss or Praher motorized valves
- Honeywell or Praher regulating valves
- Piping, valves, instrumentation, frame
- Permeate membrane flushing inlet port
- Raw water blending line port



### OPTIONS

- Filmtec™ XLE-440 / ECO PRO-440 or Ecosoft ELP-8040 membranes
- Dosing pump for antiscalant or other RO chemicals
- Permeate inlet for permeate membrane flushing
- Raw water blending line
- Break tank c/w forward feed

### 8" INOX REVERSE OSMOSIS SYSTEMS

Code	Product	Flow capacity, m <sup>3</sup> /h (GPH)	Membranes*
M02TP5	EPS M02 RO System	2–2.5 (530–660)	2/80 x 40
M03TP5	EPS M03 RO System	3–4 (800–1 060)	3/80 x 40
M04TP5	EPS M04 RO System	4–5 (1 060–1 320)	4/80 x 40
M06TP5	EPS M06 RO System	6–8 (1 600–2 100)	6/80 x 40
M09TP5	EPS M09 RO System	9–12 (2 400–3 200)	9/80 x 40
M012TP5	EPS M012 RO System	12–15 (3 200–4 000)	12/80 x 40
M016TP5	EPS M016 RO System	16–20 (4 200–5 300)	16/80 x 40
M024TP5	EPS M024 RO System	24–28 (6 400–7 400)	24/80 x 40
M048TP5	EPS M048 RO System	48–56 (12 500–14 800)	48/80 x 40

\* Membranes are not included. Select membrane according to performance requirements. Refer to Membrane Selection Sheet, pg 69-71.

## EPS MO2 8" REVERSE OSMOSIS SYSTEM

### APPLICATIONS

Process water, rinse water, steam boilers, heating and cooling circuits, agriculture, desalination, food and beverage, utility water treatment.

### EQUIPMENT:

- Grundfos® CR 5-20 high pressure pump..... 1 pcs
- 8040 membrane housing..... 2 pcs
- BB20 sediment prefilter..... 2 pcs
- Motorized valves..... 2 pcs  
(feed water in, flush out)
- Balancing valves..... 2 pcs  
(concentrate reject, concentrate recycle)
- Electrical cabinet with controller..... 1 set
- Piping, instrumentation, steel frame..... 1 set

### OPTIONS

- Filmtec™ XLE-440 / ECO PRO-440 or Ecosoft ELP-8040 membranes
- Dosing pump for antiscalant or other RO chemicals
- Permeate inlet for permeate membrane rinse
- Raw water mixing line
- Break tank c/w forward feed



*EPS reserves the right to amend the product's system architecture without materially affecting functionality or usability*

### CONNECTION PORT SIZES:

Influent water.....	G 1½"
Permeate.....	G 1"
Concentrate.....	G 1½"
CIP inlet.....	G 1½"
CIP return.....	G 1½"
CIP permeate.....	G ½"
Antiscalant dosing port.....	G ½"

### PHYSICAL PARAMETERS:

Approximate dimensions (bare).....	1.90 × 1.10 × 1.95 m (Width × Depth × Height, ±5%)
Approximate dimensions (crated).....	2.10 × 1.20 × 2.22 m (Width × Depth × Height, ±5%)
Approximate weight (bare).....	300 kg
Approximate weight (crated).....	390 kg

### EPS MO2 8" REVERSE OSMOSIS SYSTEM

Code	Product	Flow capacity, m <sup>3</sup> /h (GPH)	Membranes*
M02TP5	EPS MO2 RO System	2–2.5 (530–660)	2/80 x 40

\* Membranes are not included. Select membrane according to performance requirements. Refer to Membrane Selection Sheet, pg 69-71.

# 8" REVERSE OSMOSIS SYSTEMS

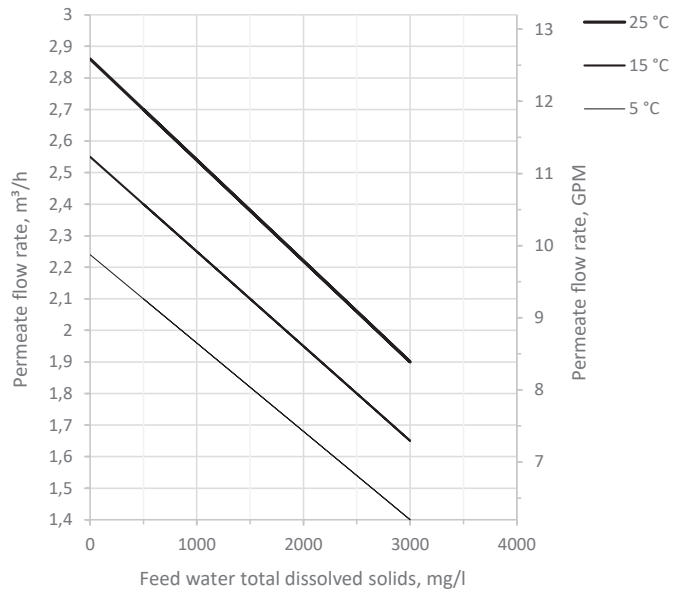
## TECHNICAL SPECIFICATION

Permeate capacity <sup>1</sup>	2 m <sup>3</sup> /h
Permeate recovery <sup>2</sup>	75%
Maximum TDS	3000 mg/L
Influent flow demand	2.7...4 m <sup>3</sup> /h (service) 10 m <sup>3</sup> /h (rinse)
Operating pressure	8...12 bar
Maximum pressure	14 bar
Electrical requirements	380...400 V, 50 Hz (3 ph)
Electrical power	3 kW
Prefilter rating	5 μm

<sup>1</sup> depends on feed water TDS, temperature, and permeate recovery — see graph on the right

<sup>2</sup> for low scaling/fouling water

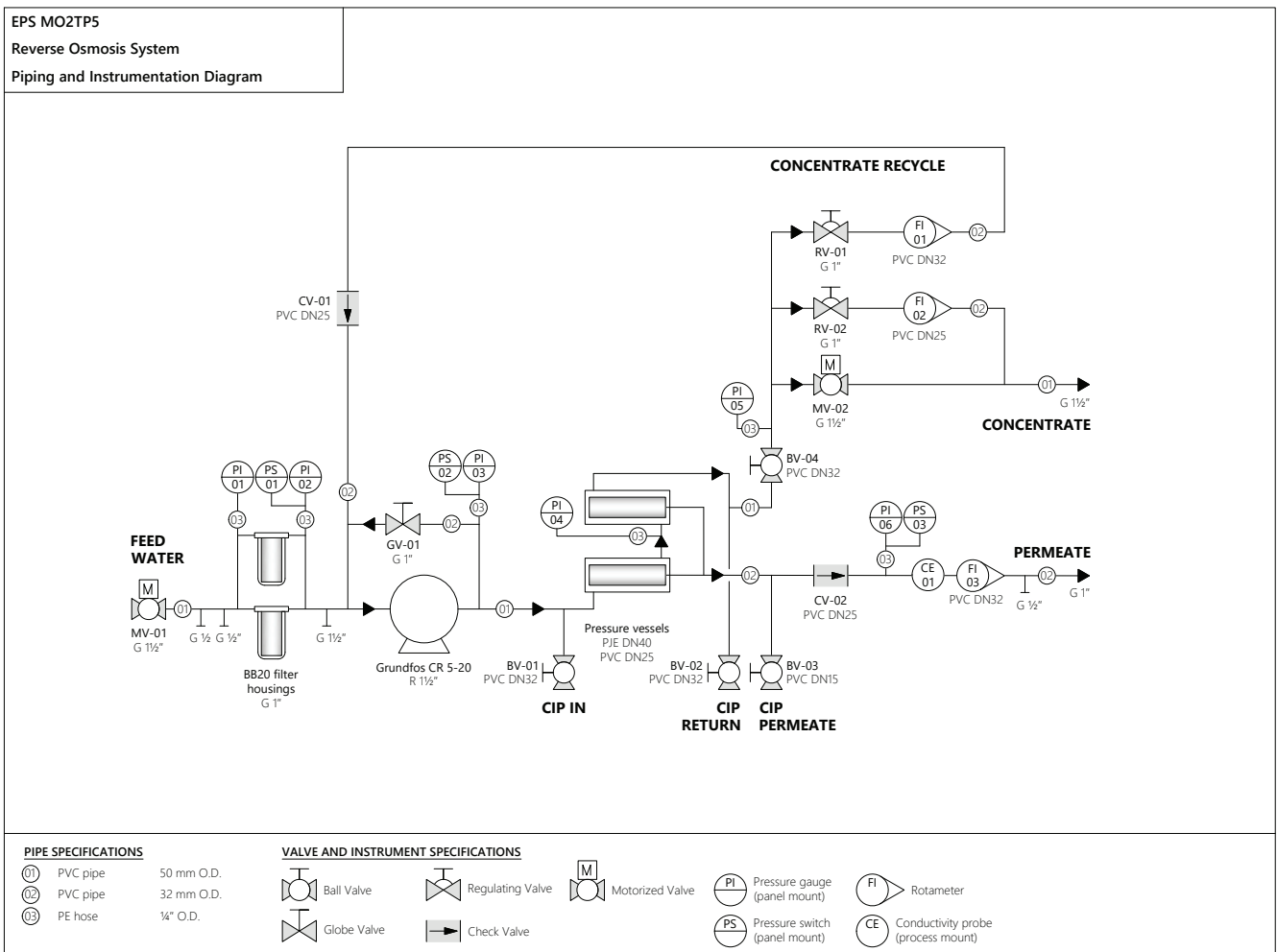
## MO2 RO FLOW CAPACITY GRAPH (WITH XLE-440 MEMBRANES)



Permeate flow rates are calculated under the following conditions:

- 2 bar influent water pressure
- 0 bar backpressure in the permeate line
- fresh membranes
- XLE-440 membrane

## PIPES AND INSTRUMENTS DIAGRAM



## EPS MO3 8" REVERSE OSMOSIS SYSTEM

### APPLICATIONS

Process water, rinse water, steam boilers, heating and cooling circuits, agriculture, desalination, food and beverage, utility water treatment.

### EQUIPMENT:

- Grundfos® CR 10-12 high pressure pump..... 1 pcs
- 8040 membrane housing..... 3 pcs
- BB20 sediment prefilter..... 3 pcs
- Motorized valves..... 2 pcs  
(feed water in, flush out)
- Balancing valves..... 2 pcs  
(concentrate reject, concentrate recycle)
- Electrical cabinet with controller..... 1 set
- Piping, instrumentation, steel frame..... 1 set

### OPTIONS

- Filmtec™ XLE-440 / ECO PRO-440 or Ecosoft ELP-8040 membranes
- Dosing pump for antiscalant or other RO chemicals
- Permeate inlet for permeate membrane rinse
- Raw water mixing line
- Break tank c/w forward feed



*EPS reserves the right to amend the product's system architecture without materially affecting functionality or usability*

### CONNECTION PORT SIZES:

Influent water.....	G 1½"
Permeate.....	G 1"
Concentrate.....	G 1½"
CIP inlet.....	G 1½"
CIP return.....	G 1½"
CIP permeate.....	G ½"
Antiscalant dosing port.....	G ½"

### PHYSICAL PARAMETERS:

Approximate dimensions (bare).....	1.90 × 1.10 × 1.95 m (Width × Depth × Height, ±5%)
Approximate dimensions (crated).....	2.10 × 1.20 × 2.22 m (Width × Depth × Height, ±5%)
Approximate weight (bare).....	340 kg
Approximate weight (crated).....	430 kg

### EPS MO3 8" REVERSE OSMOSIS SYSTEM

Code	Product	Flow capacity, m <sup>3</sup> /h (GPH)	Membranes*
M03TP5	EPS M03 RO System	3–4 (800–1 060)	3/80 x 40

\* Membranes are not included. Select membrane according to performance requirements. Refer to Membrane Selection Sheet, pg 69-71.

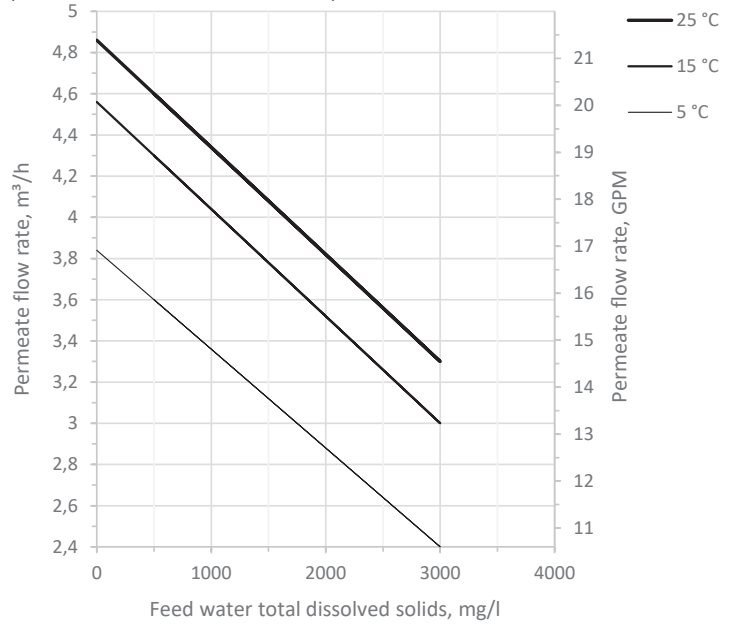
## TECHNICAL SPECIFICATION

Permeate capacity <sup>1</sup>	3 m <sup>3</sup> /h
Permeate recovery <sup>2</sup>	75%
Maximum TDS	3000 mg/L
Influent flow demand	4...6 m <sup>3</sup> /h (service) 10 m <sup>3</sup> /h (rinse)
Operating pressure	8...12 bar
Maximum pressure	14 bar
Electrical requirements	380...400 V, 50 Hz (3 ph)
Electrical power	4 kW
Prefilter rating	5 µm

<sup>1</sup> depends on feed water TDS, temperature, and permeate recovery — see graph on the right

<sup>2</sup> for low scaling/fouling water

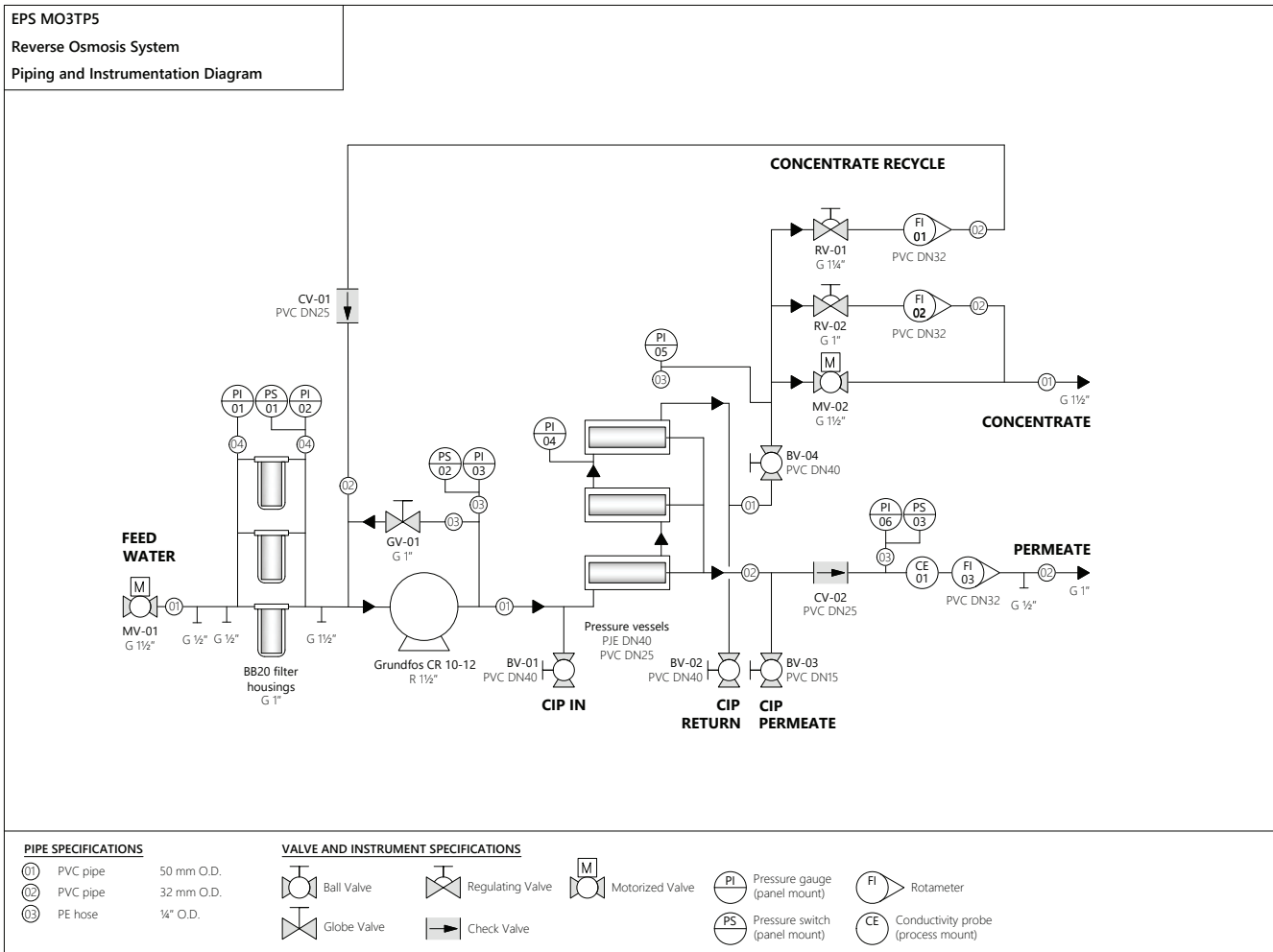
### MO3 RO FLOW CAPACITY GRAPH (WITH XLE-440 MEMBRANES)



Permeate flow rates are calculated under the following conditions:

- 2 bar influent water pressure
- 0 bar backpressure in the permeate line
- fresh membranes
- XLE-440 membrane

## PIPES AND INSTRUMENTS DIAGRAM



## EPS MO4 8" REVERSE OSMOSIS SYSTEM

### APPLICATIONS

Process water, rinse water, steam boilers, heating and cooling circuits, agriculture, desalination, food and beverage, utility water treatment.

### EQUIPMENT:

- Grundfos® CR 10-12 high pressure pump..... 1 pcs
- 8040-2 membrane housing..... 2 pcs
- BB20 sediment prefilter..... 3 pcs
- Motorized valves..... 2 pcs  
(feed water in, flush out)
- Balancing valves..... 2 pcs  
(concentrate reject, concentrate recycle)
- Electrical cabinet with controller..... 1 set
- Piping, instrumentation, steel frame..... 1 set



*EPS reserves the right to amend the product's system architecture without materially affecting functionality or usability*

### OPTIONS

- Filmtec™ XLE-440 / ECO PRO-440 or Ecosoft ELP-8040 membranes
- Dosing pump for antiscalant or other RO chemicals
- Permeate inlet for permeate membrane rinse
- Raw water mixing line
- Break tank c/w forward feed

### CONNECTION PORT SIZES:

Influent water.....	G 1½"
Permeate.....	G 1"
Concentrate.....	G 1½"
CIP inlet.....	G 1½"
CIP return.....	G 1½"
CIP permeate.....	G ½"
Antiscalant dosing port.....	G ½"

### PHYSICAL PARAMETERS:

Approximate dimensions (bare).....	2.90 × 1.20 × 1.95 m (Width × Depth × Height, ±5%)
Approximate dimensions (crated).....	3.05 × 1.37 × 2.24 m (Width × Depth × Height, ±5%)
Approximate weight (bare).....	340 kg
Approximate weight (crated).....	500 kg

### EPS MO4 8" REVERSE OSMOSIS SYSTEM

Code	Product	Flow capacity, m³/h (GPH)	Membranes*
M04TP5	EPS MO4 RO System	4–5 (1 060–1 320)	4/80 x 40

\* Membranes are not included. Select membrane according to performance requirements. Refer to Membrane Selection Sheet, pg 69-71.



# 8" REVERSE OSMOSIS SYSTEMS

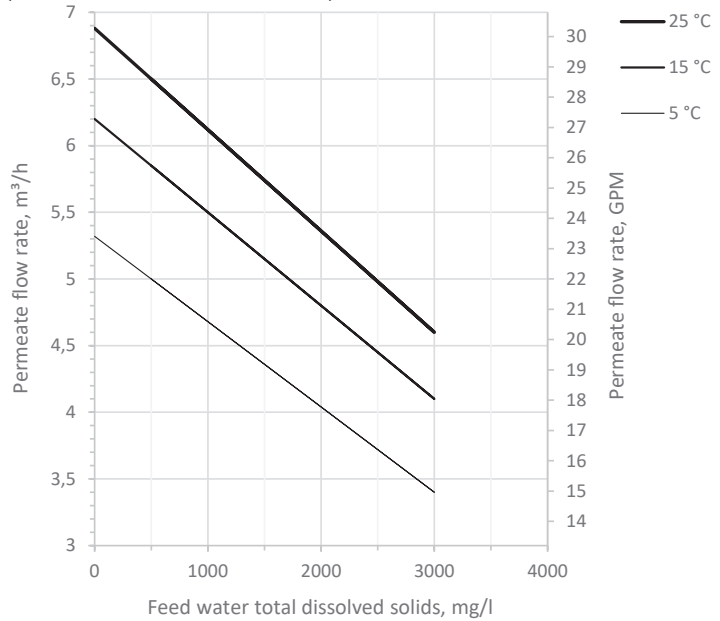
## TECHNICAL SPECIFICATION

Permeate capacity <sup>1</sup>	4 m <sup>3</sup> /h
Permeate recovery <sup>2</sup>	75%
Maximum TDS	3000 mg/L
Influent flow demand	5.5...8 m <sup>3</sup> /h (service) 10 m <sup>3</sup> /h (rinse)
Operating pressure	8...12 bar
Maximum pressure	14 bar
Electrical requirements	380...400 V, 50 Hz (3 ph)
Electrical power	4 kW
Prefilter rating	5 µm

<sup>1</sup> depends on feed water TDS, temperature, and permeate recovery — see graph on the right

<sup>2</sup> for low scaling/fouling water

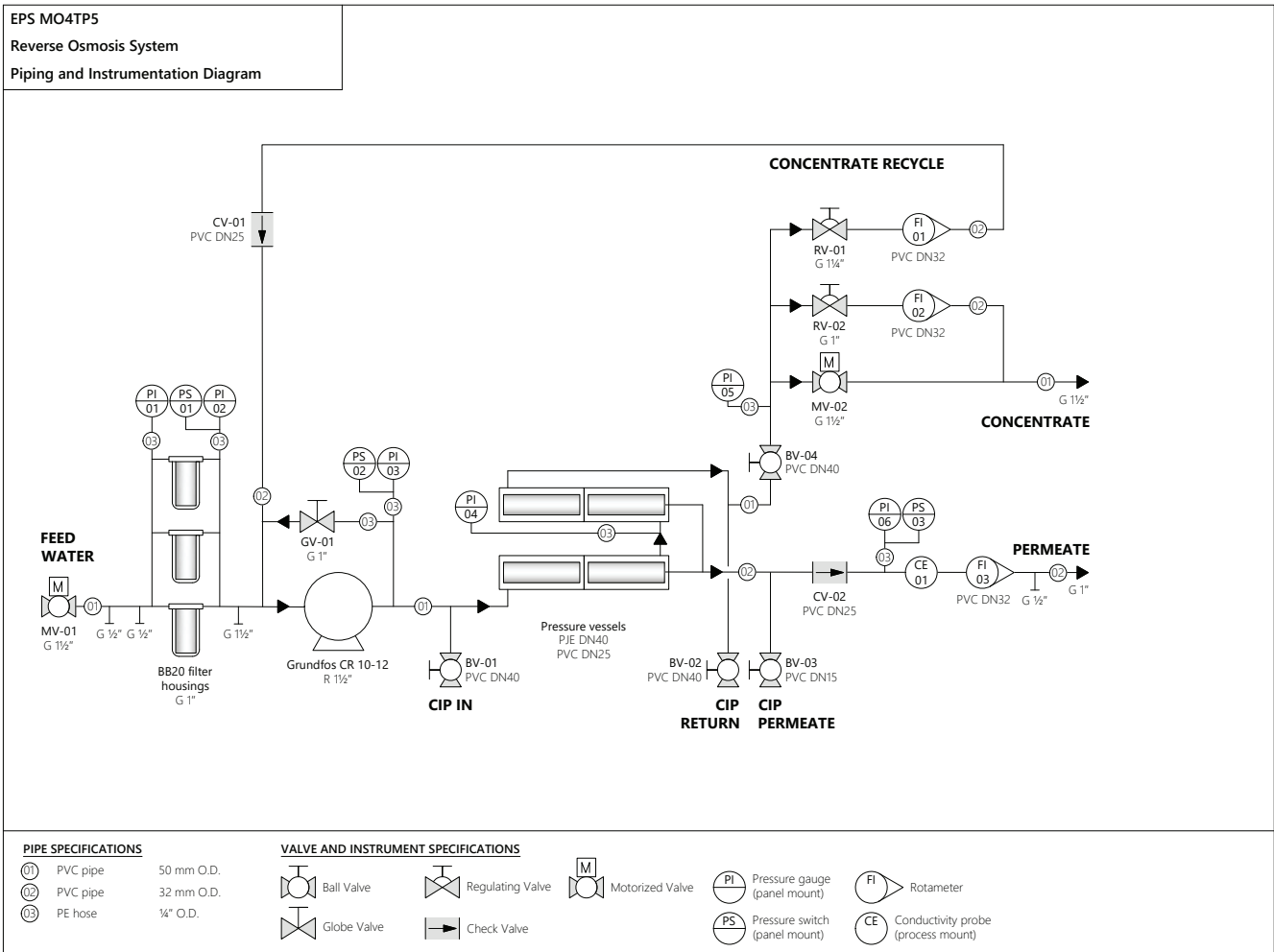
### MO4 RO FLOW CAPACITY GRAPH (WITH XLE-440 MEMBRANES)



Permeate flow rates are calculated under the following conditions:

- 2 bar influent water pressure
- 0 bar backpressure in the permeate line
- fresh membranes
- XLE-440 membrane

## PIPES AND INSTRUMENTS DIAGRAM



## EPS MO6 8" REVERSE OSMOSIS SYSTEM

### APPLICATIONS

Process water, rinse water, steam boilers, heating and cooling circuits, agriculture, desalination, food and beverage, utility water treatment.

### EQUIPMENT:

- Grundfos® CR 15-9 high pressure pump..... 1 pcs
- 8040-2 membrane housing..... 3 pcs
- BB20 sediment prefilter..... 4 pcs
- Motorized valves..... 2 pcs  
(feed water in, flush out)
- Balancing valves..... 2 pcs  
(concentrate reject, concentrate recycle)
- Electrical cabinet with controller..... 1 set
- Piping, instrumentation, steel frame..... 1 set



*EPS reserves the right to amend the product's system architecture without materially affecting functionality or usability*

### OPTIONS

- Filmtec™ XLE-440 / ECO PRO-440 or Ecosoft ELP-8040 membranes
- Dosing pump for antiscalant or other RO chemicals
- Permeate inlet for permeate membrane rinse
- Raw water mixing line
- Break tank c/w forward feed

### CONNECTION PORT SIZES:

Influent water.....	G 2"
Permeate.....	G 1½"
Concentrate.....	G 2"
CIP inlet.....	G 1½"
CIP return.....	G 1½"
CIP permeate.....	G 1"
Antiscalant dosing port.....	G ½"

### PHYSICAL PARAMETERS:

Approximate dimensions (bare).....	2.90 × 1.20 × 1.95 m (Width × Depth × Height, ±5%)
Approximate dimensions (crated).....	3.05 × 1.37 × 2.24 m (Width × Depth × Height, ±5%)
Approximate weight (bare).....	560 kg
Approximate weight (crated).....	720 kg

### EPS MO6 8" REVERSE OSMOSIS SYSTEM

Code	Product	Flow capacity, m <sup>3</sup> /h (GPH)	Membranes*
M06TP5	EPS MO6 RO System	6–8 (1 600–2 100)	6/80 x 40

\* Membranes are not included. Select membrane according to performance requirements. Refer to Membrane Selection Sheet, pg 69-71.

# 8" REVERSE OSMOSIS SYSTEMS

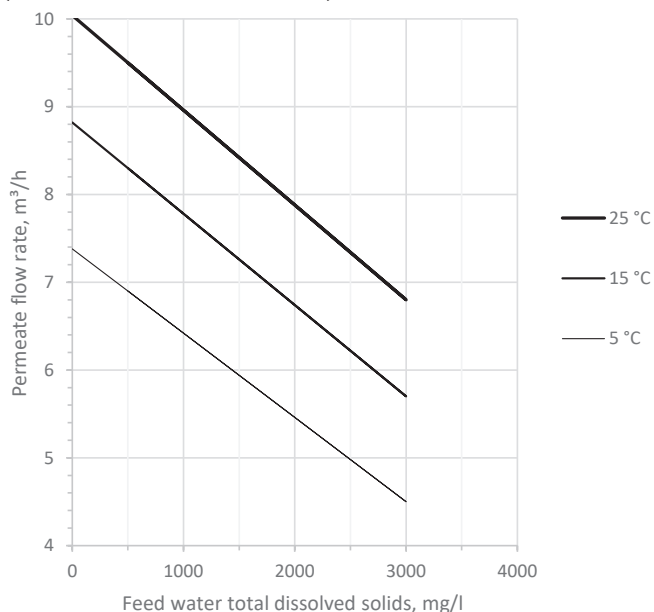
## TECHNICAL SPECIFICATION

Permeate capacity <sup>1</sup>	6 m <sup>3</sup> /h
Permeate recovery <sup>2</sup>	75%
Maximum TDS	3000 mg/L
Influent flow demand	8...12 m <sup>3</sup> /h (service) 20 m <sup>3</sup> /h (rinse)
Operating pressure	8...12 bar
Maximum pressure	14 bar
Electrical requirements	380...400 V, 50 Hz (3 ph)
Electrical power	7.5 kW
Prefilter rating	5 µm

<sup>1</sup> depends on feed water TDS, temperature, and permeate recovery — see graph on the right

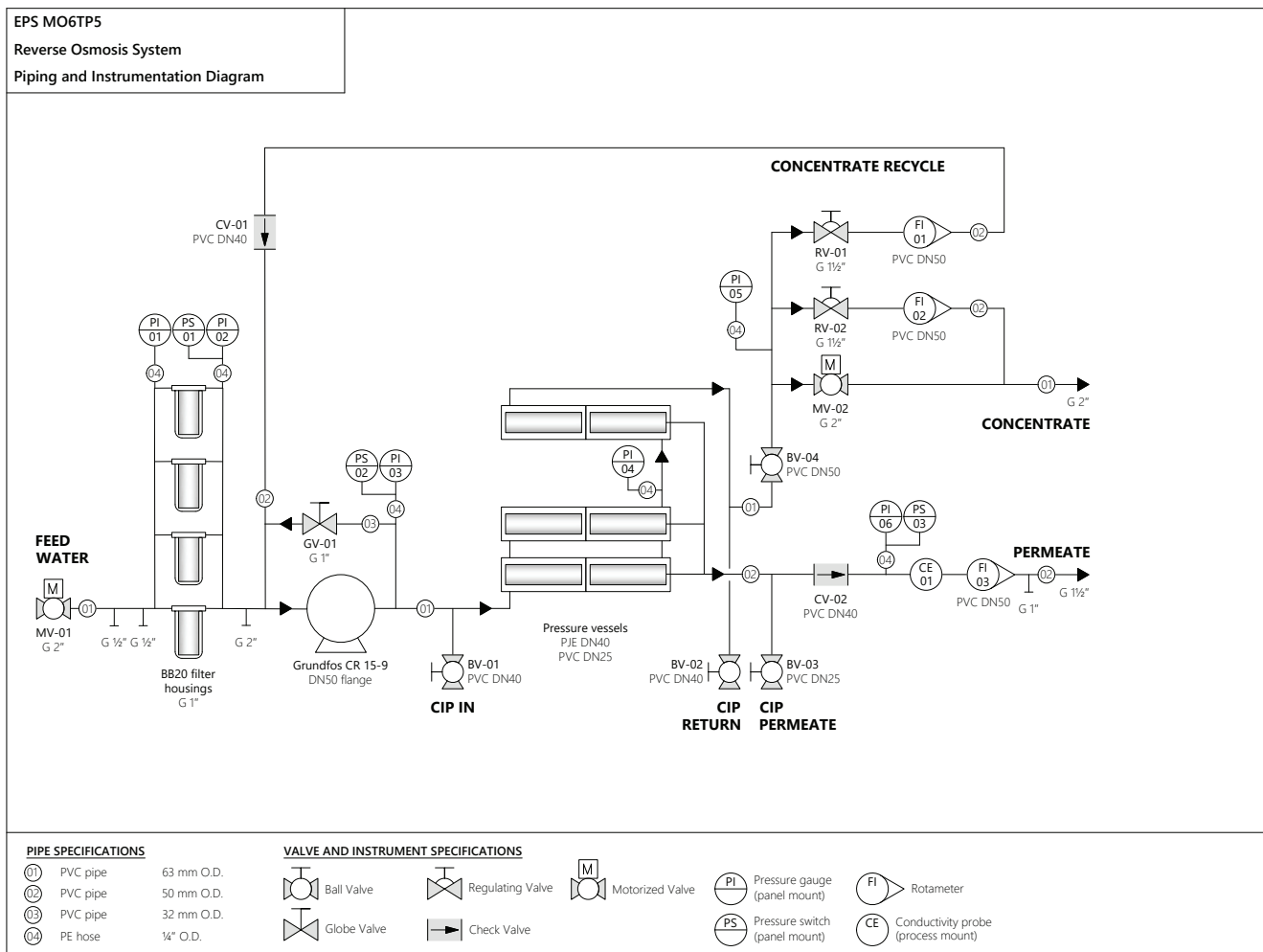
<sup>2</sup> for low scaling/fouling water

## MO6 RO FLOW CAPACITY GRAPH (WITH XLE-440 MEMBRANES)



Permeate flow rates are calculated under the following conditions:  
 • 2 bar influent water pressure  
 • 0 bar backpressure in the permeate line  
 • fresh membranes  
 • XLE-440 membrane

## PIPES AND INSTRUMENTS DIAGRAM



## EPS M09 8" REVERSE OSMOSIS SYSTEM

### APPLICATIONS

Process water, rinse water, steam boilers, heating and cooling circuits, agriculture, desalination, food and beverage, utility water treatment.



### EQUIPMENT:

- Grundfos® CR 15-9 high pressure pump ..... 1 pcs
- 8040-3 membrane housing ..... 3 pcs
- BB20 sediment prefilter ..... 5 pcs
- Motorized valves ..... 2 pcs  
(feed water in, flush out)
- Balancing valves ..... 2 pcs  
(concentrate reject, concentrate recycle)
- Electrical cabinet with controller ..... 1 set
- Piping, instrumentation ..... 1 set
- Steel frame ..... 1 set

*EPS reserves the right to amend the product's system architecture without materially affecting functionality or usability*

### OPTIONS

- Filmtec™ XLE-440 / ECO PRO-440 or Ecosoft ELP-8040 membranes
- Dosing pump for antiscalant or other RO chemicals
- Permeate inlet for permeate membrane rinse
- Raw water mixing line
- Break tank c/w forward feed

### CONNECTION PORT SIZES:

- Influent water ..... G 2"
- Permeate ..... G 1½"
- Concentrate ..... G 2"
- CIP inlet ..... G 1½"
- CIP return ..... G 1½"
- CIP permeate ..... G 1"
- Antiscalant dosing port ..... G ½"

### PHYSICAL PARAMETERS:

- Approximate dimensions (bare) ..... 3.90 × 1.20 × 1.95 m  
(Width × Depth × Height, ±5%)
- Approximate dimensions (crated) ..... 4.10 × 1.37 × 2.24 m  
(Width × Depth × Height, ±5%)
- Approximate weight (bare) ..... 600 kg
- Approximate weight (crated) ..... 920 kg

### EPS M09 8" REVERSE OSMOSIS SYSTEM

Code	Product	Flow capacity, m <sup>3</sup> /h (GPH)	Membranes*
M09TP5	EPS M09 RO System	9–12 (2 400–3 200)	9/80 x 40

\* Membranes are not included. Select membrane according to performance requirements. Refer to Membrane Selection Sheet, pg 69-71.

# 8" REVERSE OSMOSIS SYSTEMS

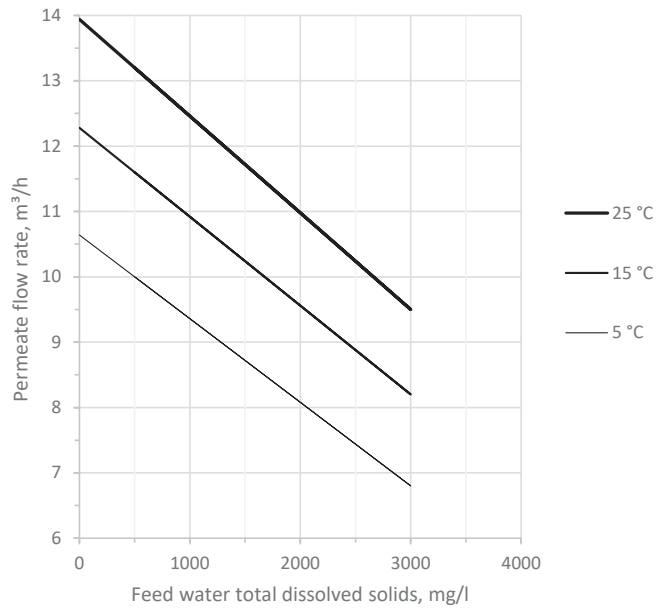
## TECHNICAL SPECIFICATION

Permeate capacity <sup>1</sup>	9 m <sup>3</sup> /h
Permeate recovery <sup>2</sup>	75%
Maximum TDS	3000 mg/L
Influent flow demand	12...16 m <sup>3</sup> /h (service) 20 m <sup>3</sup> /h (rinse)
Operating pressure	8...12 bar
Maximum pressure	14 bar
Electrical requirements	380...400 V, 50 Hz (3 ph)
Electrical power	7.5 kW
Prefilter rating	5 µm

<sup>1</sup> depends on feed water TDS, temperature, and permeate recovery — see graph on the right

<sup>2</sup> for low scaling/fouling water

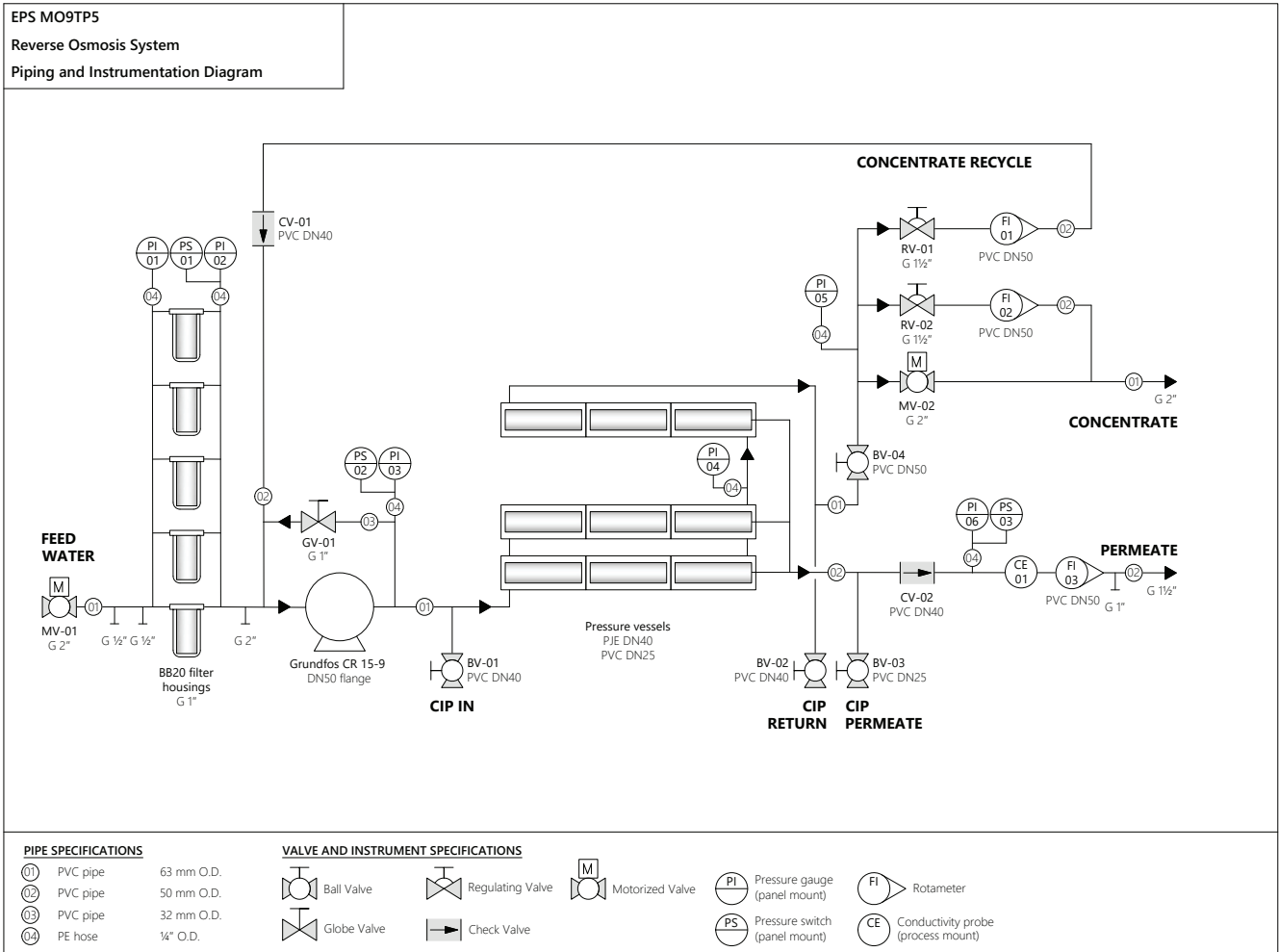
### MO9 RO FLOW CAPACITY GRAPH (WITH XLE-440 MEMBRANES)



Permeate flow rates are calculated under the following conditions:

- 2 bar influent water pressure
- 0 bar backpressure in the permeate line
- fresh membranes
- XLE-440 membrane

## PIPES AND INSTRUMENTS DIAGRAM



## EPS MO12 8" REVERSE OSMOSIS SYSTEM

### APPLICATIONS

Process water, rinse water, steam boilers, heating and cooling circuits, agriculture, desalination, food and beverage, utility water treatment.



### EQUIPMENT:

- Grundfos® CR 20-10 high pressure pump..... 1 pcs
- 8040-3 membrane housing..... 4 pcs
- Stainless steel housing with 7 PP 2,5 x 40" filters..... 1 pcs
- Motorized valves..... 2 pcs  
(feed water in, flush out)
- Balancing valves..... 2 pcs  
(concentrate reject, concentrate recycle)
- Electrical cabinet with controller..... 1 set
- Piping, instrumentation..... 1 set
- Steel frame..... 1 set

*EPS reserves the right to amend the product's system architecture without materially affecting functionality or usability*

### OPTIONS

- Filmtec™ XLE-440 / ECO PRO-440 or Ecosoft ELP-8040 membranes
- Dosing pump for antiscalant or other RO chemicals
- Permeate inlet for permeate membrane rinse
- Raw water mixing line

### CONNECTION PORT SIZES:

Influent water.....	DN65 (flange)
Permeate.....	DN50 (G 2")
Concentrate.....	DN65 (flange)
CIP inlet.....	DN40 (G 1½")
CIP return.....	DN40 (G 1½")
CIP permeate.....	DN25 (G 1")

### PHYSICAL PARAMETERS:

Approximate dimensions (installed).....	4.00 x 1.40 x 2.10 m (Width x Depth x Height, ±5%)
Approximate weight (bare).....	820 kg
Approximate weight (crated).....	1100 kg

### EPS MO12 8" REVERSE OSMOSIS SYSTEM

Code	Product	Flow capacity, m <sup>3</sup> /h (GPH)	Membranes*
M012TP5	EPS MO12 RO System	12–15 (3 200–4 000)	12/80 x 40

\* Membranes are not included. Select membrane according to performance requirements. Refer to Membrane Selection Sheet, pg 69-71.

# 8" REVERSE OSMOSIS SYSTEMS

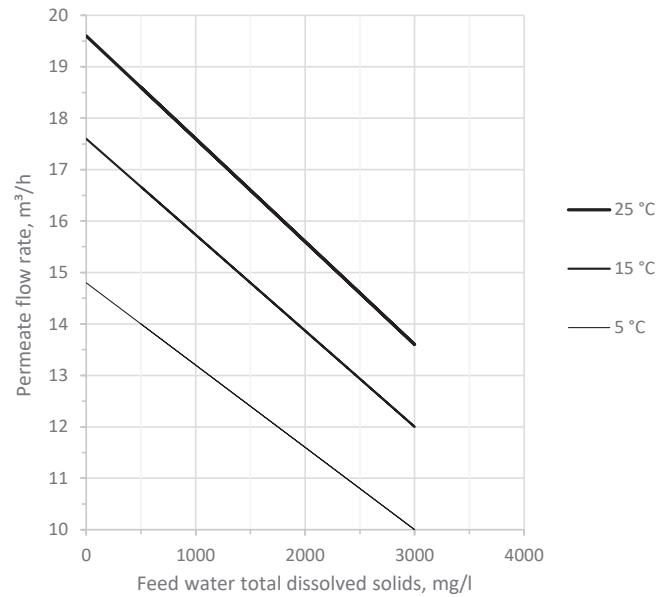
## TECHNICAL SPECIFICATION

Permeate capacity <sup>1</sup>	12 m <sup>3</sup> /h
Permeate recovery <sup>2</sup>	75%
Maximum TDS	3000 mg/L
Influent flow demand	16...20 m <sup>3</sup> /h
Operating pressure	8...12 bar
Maximum pressure	14 bar
Electrical requirements	380...400 V, 50 Hz (3 ph)
Electrical power	11 kW
Prefilter rating	5 µm

<sup>1</sup> depends on feed water TDS, temperature, and permeate recovery — see graph on the right

<sup>2</sup> for low scaling/fouling water

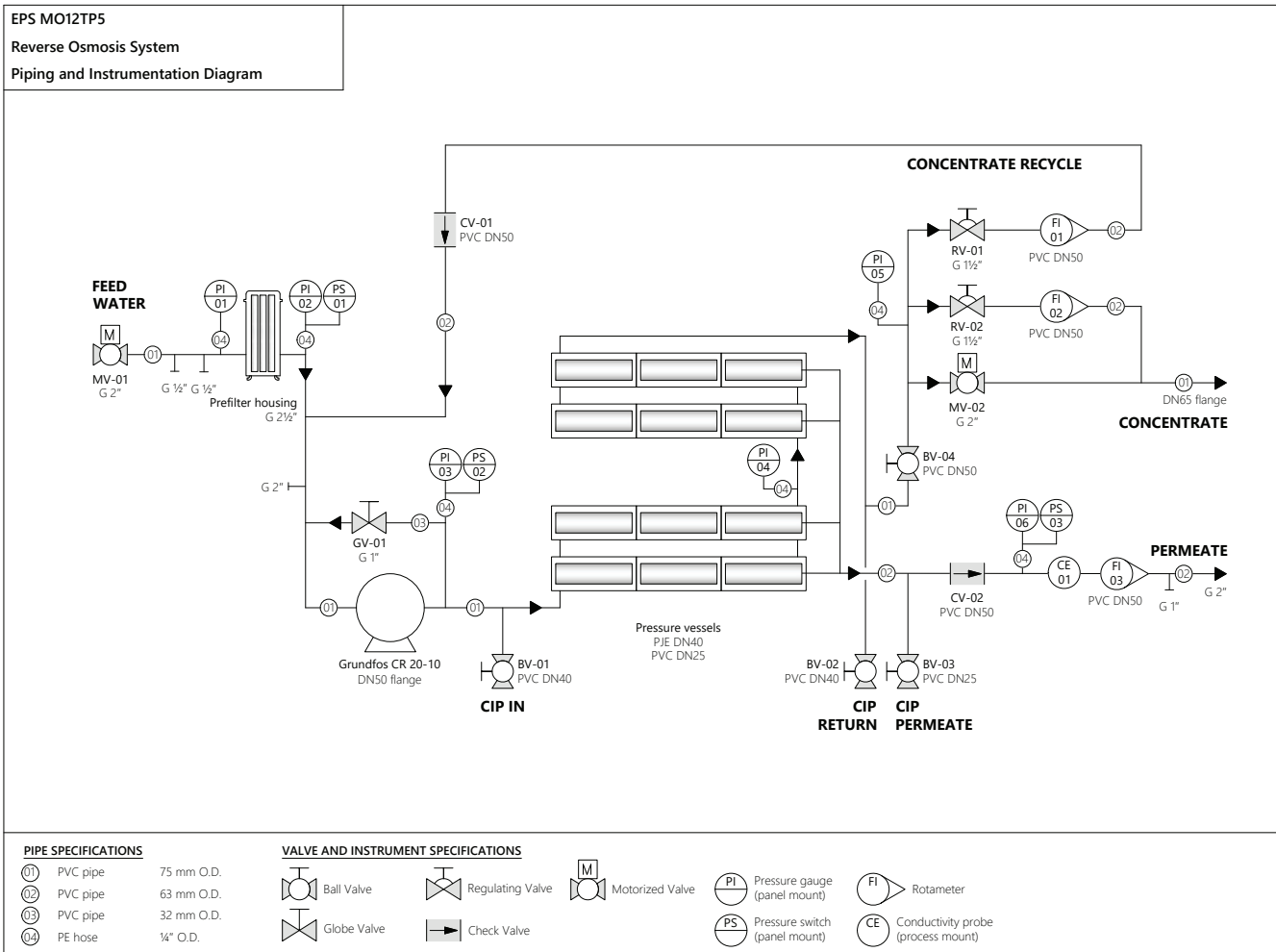
MO12 RO FLOW CAPACITY GRAPH  
(WITH XLE-440 MEMBRANES)



Permeate flow rates are calculated under the following conditions:

- 2 bar influent water pressure
- 0 bar backpressure in the permeate line
- fresh membranes
- XLE-440 membrane

## PIPES AND INSTRUMENTS DIAGRAM



## EPS MO16 8" REVERSE OSMOSIS SYSTEM

### APPLICATIONS

Process water, rinse water, steam boilers, heating and cooling circuits, agriculture, desalination, food and beverage, utility water treatment.



### EQUIPMENT:

- Grundfos® CR 32-6 high pressure pump ..... 1 pcs
- 8040-4 membrane housing ..... 4 pcs
- Stainless steel housing with 7 PP 2,5 x 40" filters ..... 1 pcs
- Motorized butterfly valves ..... 2 pcs  
(feed water in, flush out)
- Balancing valves ..... 2 pcs  
(concentrate reject, concentrate recycle)
- Electrical cabinet with controller ..... 1 set
- Piping, instrumentation ..... 1 set
- Steel frame ..... 1 set

*EPS reserves the right to amend the product's system architecture without materially affecting functionality or usability*

### OPTIONS

- Filmtec™ XLE-440 / ECO PRO-440 or Ecosoft ELP-8040 membranes
- Dosing pump for antiscalant or other RO chemicals
- Permeate inlet for permeate membrane rinse
- Raw water mixing line
- Break tank c/w forward feed

### CONNECTION PORT SIZES:

- Influent water ..... DN80 (flange)
- Permeate ..... DN65 (flange)
- Concentrate ..... DN80 (flange)
- CIP inlet ..... DN65 (flange)
- CIP return ..... DN65 (flange)
- CIP permeate ..... DN40 (G 1½")

### PHYSICAL PARAMETERS:

- Approximate dimensions (installed) ..... 5.50 x 1.60 x 2.40 m  
(Width x Depth x Height, ±5%)
- Approximate weight (bare) ..... 900 kg
- Approximate weight (crated) ..... 1200 kg

### EPS MO16 8" REVERSE OSMOSIS SYSTEM

Code	Product	Flow capacity, m <sup>3</sup> /h (GPH)	Membranes*
M016TP5	EPS MO16 RO System	16–20 (4 200–5 300)	16/80 x 40

\* Membranes are not included. Select membrane according to performance requirements. Refer to Membrane Selection Sheet, pg 69-71.



# 8" REVERSE OSMOSIS SYSTEMS

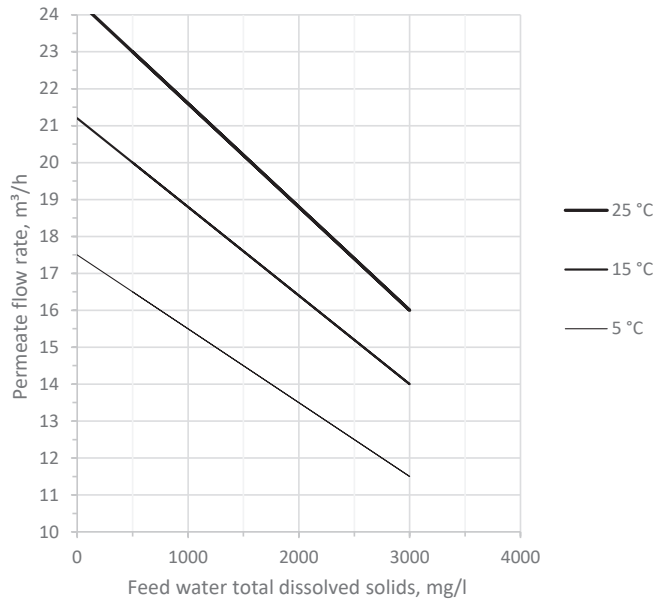
## TECHNICAL SPECIFICATION

Permeate capacity <sup>1</sup>	16 m <sup>3</sup> /h
Permeate recovery <sup>2</sup>	75%
Maximum TDS	3000 mg/L
Influent flow demand	20...25 m <sup>3</sup> /h
Operating pressure	8...12 bar
Maximum pressure	14 bar
Electrical requirements	380...400 V, 50 Hz (3 ph)
Electrical power	11 kW
Prefilter rating	5 µm

<sup>1</sup> depends on feed water TDS, temperature, and permeate recovery — see graph on the right

<sup>2</sup> for low scaling/fouling water

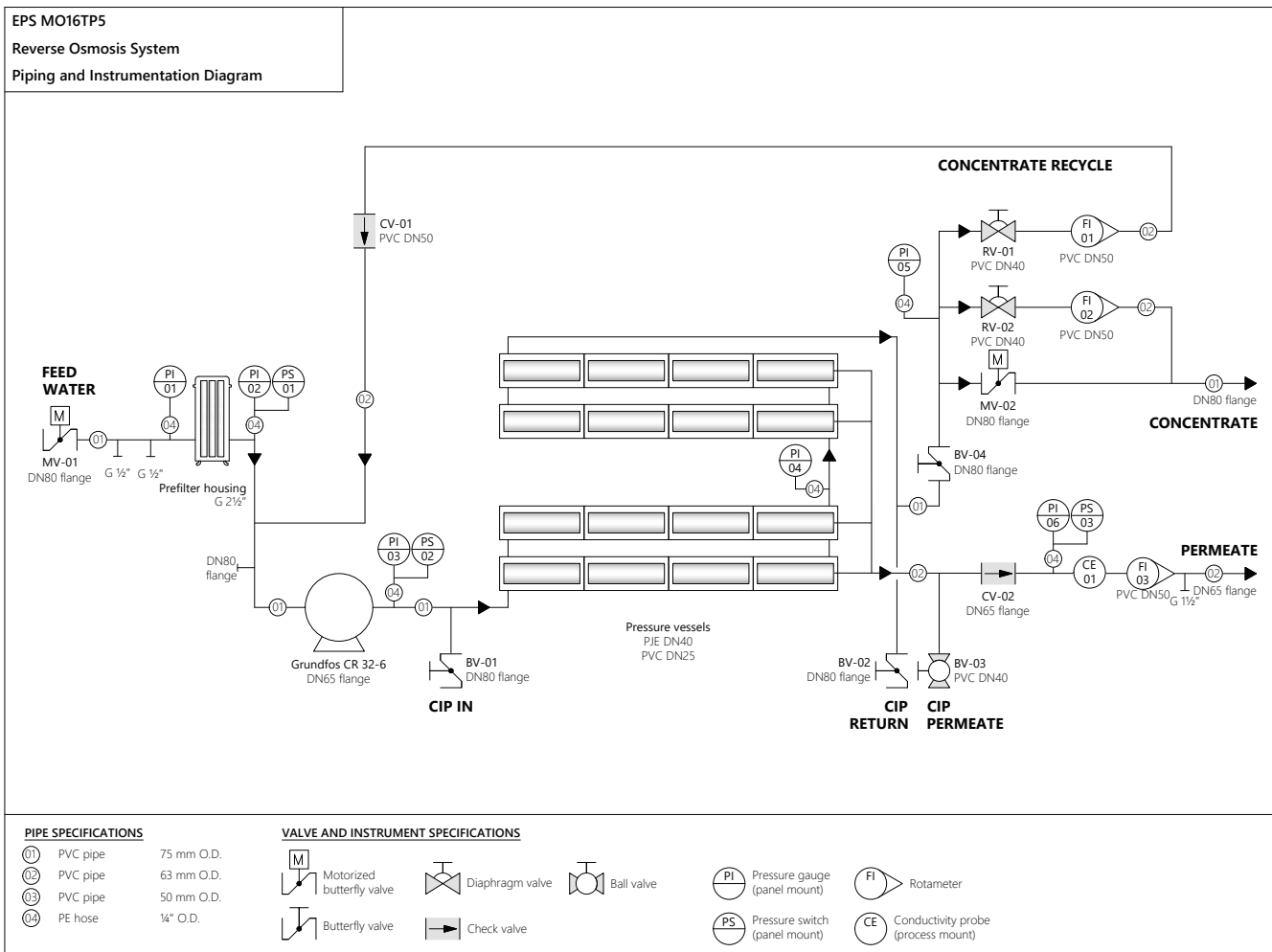
MO16 RO FLOW CAPACITY GRAPH  
(WITH XLE-440 MEMBRANES)



Permeate flow rates are calculated under the following conditions:

- 2 bar influent water pressure
- 0 bar backpressure in the permeate line
- fresh membranes
- XLE-440 membrane

## PIPES AND INSTRUMENTS DIAGRAM



## EPS MO24 8" REVERSE OSMOSIS SYSTEM

### APPLICATIONS

Process water, rinse water, steam boilers, heating and cooling circuits, agriculture, desalination, food and beverage, utility water treatment.



*EPS reserves the right to amend the product's system architecture without materially affecting functionality or usability*

### EQUIPMENT:

- Grundfos® CR 45-4 high pressure pump..... 1 pcs
- 8040-4 membrane housing..... 6 pcs
- Stainless steel housing with 7 PP 2,5 × 40" filters..... 2 pcs
- Motorized butterfly valves..... 2 pcs  
(feed water in, flush out)
- Balancing valves..... 2 pcs  
(concentrate reject, concentrate recycle)
- Electrical cabinet with controller..... 1 set
- Piping, instrumentation..... 1 set
- Steel frame..... 1 set

### OPTIONS

- Filmtec™ XLE-440 / ECO PRO-440 or Ecosoft ELP-8040 membranes
- Dosing pump for antiscalant or other RO chemicals
- Permeate inlet for permeate membrane rinse
- Raw water mixing line
- Break tank c/w forward feed

### CONNECTION PORT SIZES:

Influent water.....	DN80 (flange)
Permeate.....	DN65 (flange)
Concentrate.....	DN80 (flange)
CIP inlet.....	DN65 (flange)
CIP return.....	DN65 (flange)
CIP permeate.....	DN40 (G 1½")

### PHYSICAL PARAMETERS:

Approximate dimensions (installed).....	5.50 × 1.60 × 2.40 m (Width × Depth × Height, ±5%)
Approximate weight (bare).....	1100 kg
Approximate weight (crated).....	1500 kg

### EPS MO24 8" REVERSE OSMOSIS SYSTEM

Code	Product	Flow capacity, m <sup>3</sup> /h (GPH)	Membranes*
M024TP5	EPS MO24 RO System	24–28 (6 400–7 400)	24/80 x 40

\* Membranes are not included. Select membrane according to performance requirements. Refer to Membrane Selection Sheet, pg 69-71.

# 8" REVERSE OSMOSIS SYSTEMS

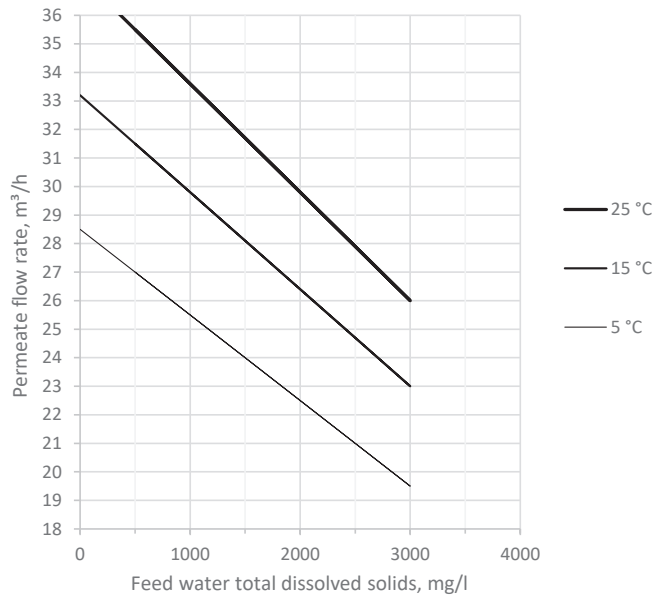
## TECHNICAL SPECIFICATION

Permeate capacity <sup>1</sup>	24 m <sup>3</sup> /h
Permeate recovery <sup>2</sup>	75%
Maximum TDS	3000 mg/L
Influent flow demand	30...40 m <sup>3</sup> /h
Operating pressure	8...12 bar
Maximum pressure	14 bar
Electrical requirements	380...400 V, 50 Hz (3 ph)
Electrical power	18.5 kW
Prefilter rating	5 μm

<sup>1</sup> depends on feed water TDS, temperature, and permeate recovery — see graph on the right

<sup>2</sup> for low scaling/fouling water

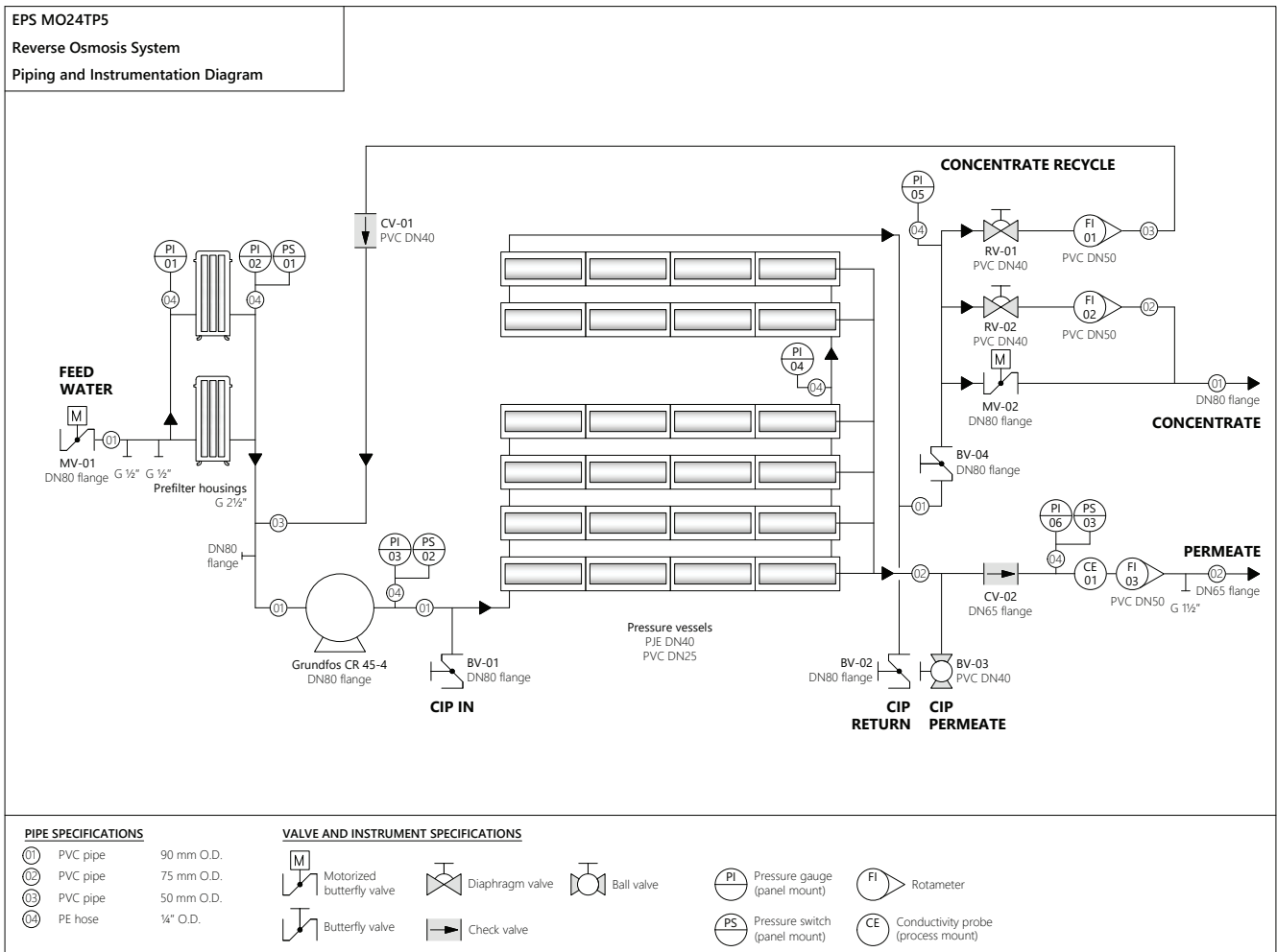
## MO24 RO FLOW CAPACITY GRAPH (WITH XLE-440 MEMBRANES)



Permeate flow rates are calculated under the following conditions:

- 2 bar influent water pressure
- 0 bar backpressure in the permeate line
- fresh membranes
- XLE-440 membrane

## PIPES AND INSTRUMENTS DIAGRAM



## EPS MO48 8" REVERSE OSMOSIS SYSTEM

### APPLICATIONS

Process water, rinse water, steam boilers, heating and cooling circuits, agriculture, desalination, food and beverage, utility water treatment.



### EQUIPMENT:

- Grundfos® CR 64-4 high pressure pump..... 1 pcs
- 8040-6 membrane housing..... 8 pcs
- Stainless steel housing with 7 PP 2,5 x 40" filters..... 2 pcs
- Motorized butterfly valves..... 2 pcs
- Balancing valves..... 2 pcs
- Electrical cabinet with controller..... 1 set
- Piping, instrumentation..... 1 set
- Steel frame..... 1 set

*EPS reserves the right to amend the product's system architecture without materially affecting functionality or usability*

*CIP unit is not included with the system*

### OPTIONS

- Filmtec™ XLE-440 / ECO PRO-440 or Ecosoft ELP-8040 membranes
- Dosing pump for antiscalant or other RO chemicals
- Permeate inlet for permeate membrane rinse
- Raw water mixing line
- Break tank c/w forward feed

### CONNECTION PORT SIZES:

Influent water.....	DN100 (flange)
Permeate.....	DN100 (flange)
Concentrate.....	DN100 (flange)
CIP inlet.....	DN80 (flange)
CIP return.....	DN80 (flange)

### PHYSICAL PARAMETERS:

Approximate dimensions (installed).....	7.00 x 2.40 x 2.50 m (Width x Depth x Height, ±5%)
Approximate weight (bare).....	1900 kg
Approximate weight (crated).....	2400 kg

### EPS MO48 8" REVERSE OSMOSIS SYSTEM

Code	Product	Flow capacity, m <sup>3</sup> /h (GPH)	Membranes*
M048TP5	EPS M048 RO System	48-56 (12 700-14 800)	48/80 x 40

\* Membranes are not included. Select membrane according to performance requirements. Refer to Membrane Selection Sheet, pg 69-71.

# 8" REVERSE OSMOSIS SYSTEMS

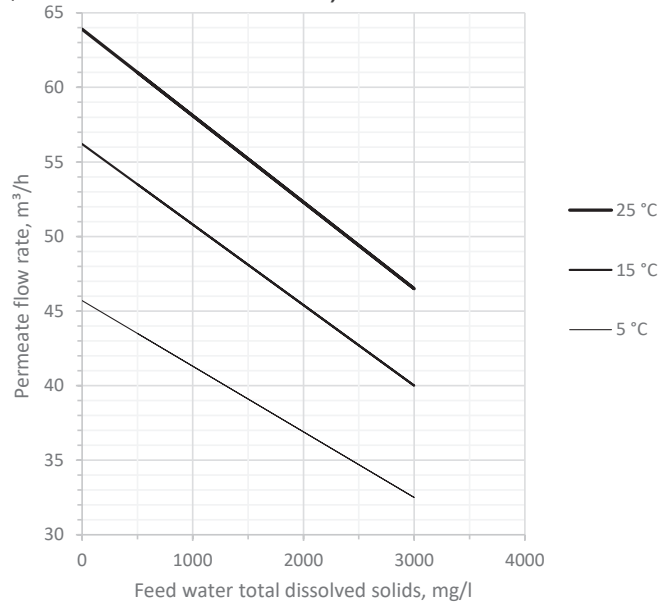
## TECHNICAL SPECIFICATION

Permeate capacity <sup>1</sup>	48 m <sup>3</sup> /h
Permeate recovery <sup>2</sup>	75%
Maximum TDS	3000 mg/L
Influent flow demand	65...80 m <sup>3</sup> /h
Operating pressure	8...12 bar
Maximum pressure	14 bar
Electrical requirements	380...400 V, 50 Hz (3 ph)
Electrical power	22 kW
Prefilter rating	5 µm

<sup>1</sup> depends on feed water TDS, temperature, and permeate recovery — see graph on the right

<sup>2</sup> for low scaling/fouling water

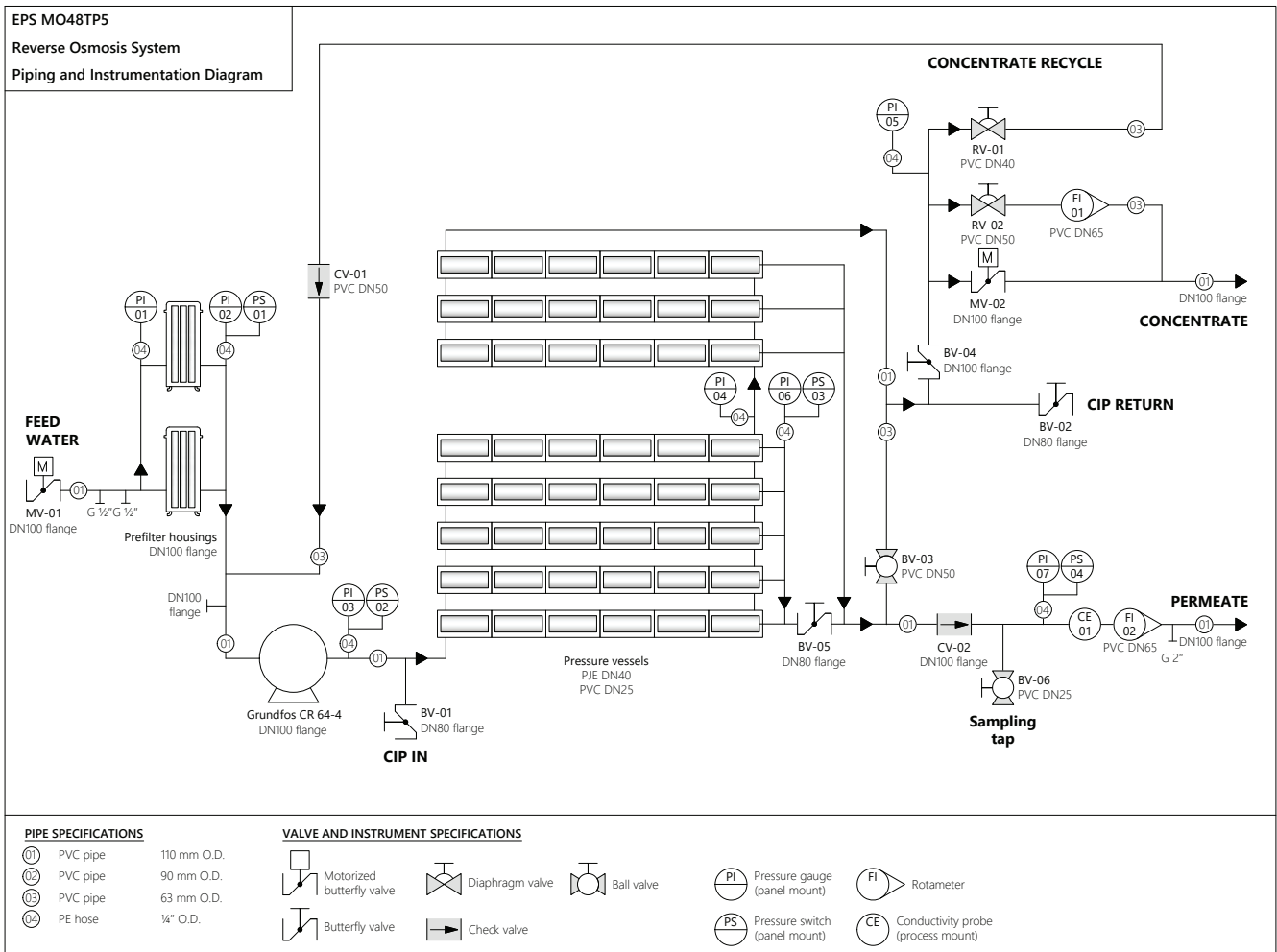
**MO48 RO FLOW CAPACITY GRAPH  
(WITH XLE-440 MEMBRANES)**



Permeate flow rates are calculated under the following conditions:

- 2 bar influent water pressure
- 0 bar backpressure in the permeate line
- fresh membranes
- XLE-440 membrane

## PIPES AND INSTRUMENTS DIAGRAM



## PERMEATE FLUSHING ASSEMBLY FOR EPS MO2...MO48 8" RO SYSTEMS

### APPLICATIONS

The product fits an already operating reverse osmosis system, with the use of only a few basic tools\*.

The flushing assembly has a large flow capacity for efficient flushing of the membranes.

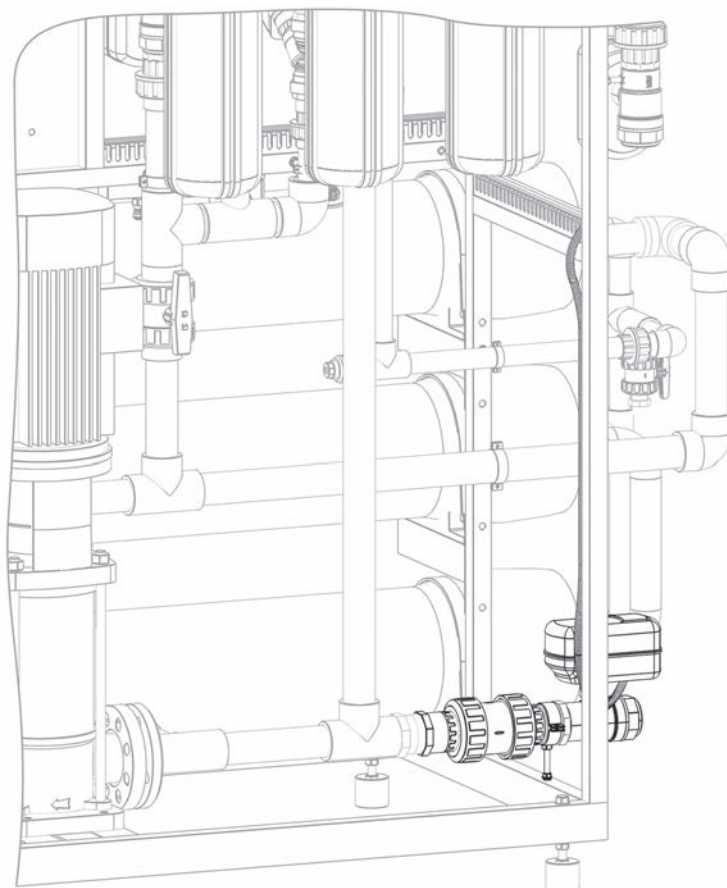
Duration and frequency of membrane flushes are set up in the controller settings.

### THE PRODUCT IS USED IN THE FOLLOWING CASES:

- Insufficient supply water flow capacity for normal membrane flush
- Supply water treatment process can be sized to a smaller flow capacity absent the peak flow demand during membrane flush
- Industrial reverse osmosis systems have built-in flush ports for the flushing assembly connection.

### COMPONENTS

- Motorized valve
- PVC piping assembly with PVC check valve
- Pipe clamp and fasteners
- Installation and connection instructions



### WARNING!

To flush the membranes with permeate, it is necessary to use a purified water pump with sufficient capacity (according to the technical characteristics of the reverse osmosis system).

The pump must be connected to the flushing unit with a permeate pipe of at least the nominal diameter of the flushing unit.

### PERMEATE FLUSHING ASSEMBLY FOR EPS MO2...MO48 8" RO SYSTEMS

Code	For systems	Recommended flow rate	Connection port size
PM01234	M02TP5, M03TP5, M04TP5, M02TI5, M03TI5, M04TI5	8 m <sup>3</sup> /h	DN40
PM069	M06TP5, M09TP5, M06TI5, M09TI5	15 m <sup>3</sup> /h	DN50
PM01224	M012TP5, M016TP5, M024TP5, M012TI5	30 m <sup>3</sup> /h	DN80
PM03048	M036TP5, M048TP5	50 m <sup>3</sup> /h	DN100

## RAW WATER BLENDING ASSEMBLY FOR EPS MO2...MO48 8" RO SYSTEMS

### APPLICATIONS

The product fits an already operating reverse osmosis system, with the use of only a few basic tools\*.

The raw water blending assembly has a separate inlet for blending water from any source point to the purified water.

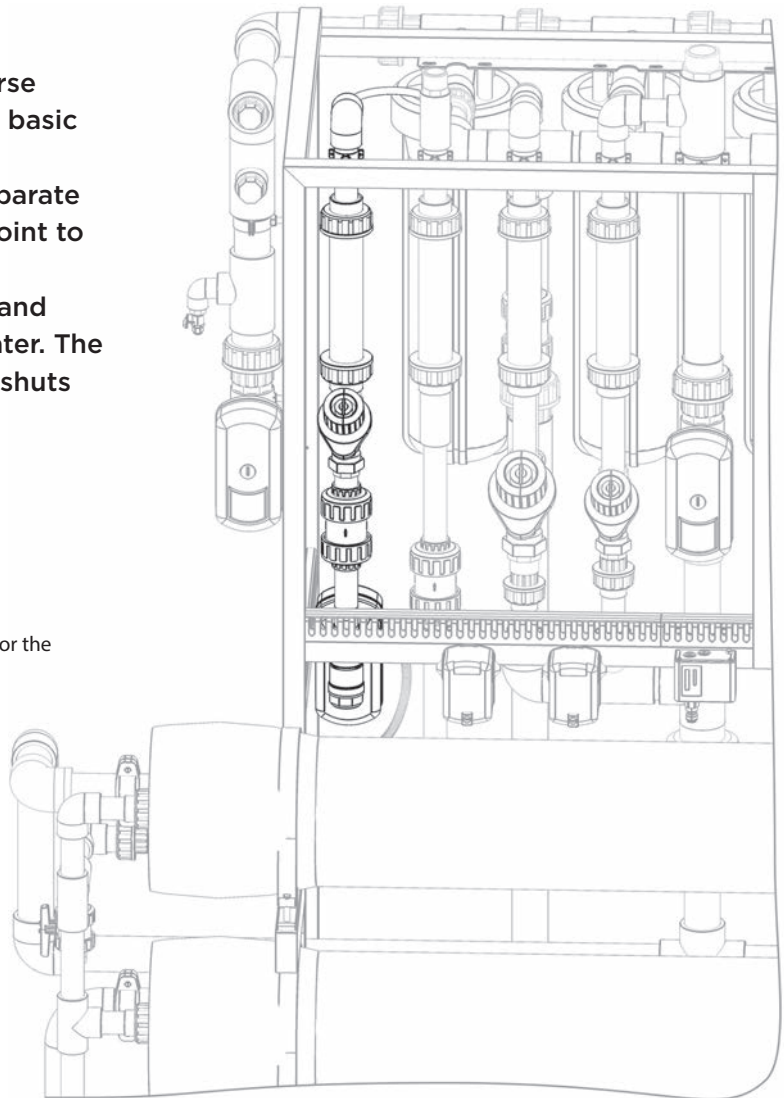
The balancing valve is used for regulating and sustaining the required flow rate of raw water. The motorized valve opens during service and shuts off during standby or downtime.

### THE PRODUCT IS USED IN THE FOLLOWING CASES:

- Amending the mineral composition of product water
- Increasing the product water capacity
- Industrial reverse osmosis systems have built-in blend ports for the blending assembly connection.

### COMPONENTS

- Motorized valve
- PVC check valve
- Balancing valve
- Rotameter
- PVC pipeline, mounting clamps
- Installation and connection instructions



RAW WATER BLENDING ASSEMBLY FOR EPS MO2...MO48 8" RO SYSTEMS

Code	For systems	Maximum flow rate	Connection port size
IM01234	M02TP5, M03TP5, M04TP5, M02TI5, M03TI5, M04TI5	2,5 m3/h	DN15
IM069	M06TP5, M09TP5, M06TI5, M09TI5	6 m3/h	DN25
IM01224	M012TP5, M016TP5, M024TP5, M012TI5	16 m3/h	DN40
IM03048	M036TP5, M048TP5	25 m3/h	DN50

# 4"

## RO WATER TREATMENT SYSTEMS

EPS have numerous customers who use our 4" RO systems for a variety of applications including hotels; public swimming pools; garden centres; dairy farms; small food and beverage producers; micro breweries; glass manufacturers and car washes.

We stock a wide range of 4" RO system options that are plug and play in both design and set-up.

### APPLICATIONS



CAR WASH



BOILER FEED



DISTILLERY



B&B/HOTELS



BREWERY



DAIRY AND MEAT  
PROCESSING



DATA CENTRES



AGRICULTURE



HEALTHCARE &  
LABORATORIES



HORECA  
(HOTELS, RESTAURANTS  
& CATERING)



DOMESTIC HOUSES



DAIRY/FOOD &  
BEVERAGE





---

## **IOT ADVANCED 4" REVERSE OSMOSIS SYSTEMS**

- IoT advanced with remote online monitoring and control
  - Proven engineering with a smart design and reliable instrumentation
  - Ecosoft controller OC6000 with Econnect functionality and additional sensors
  - Suitable for water with TDS up to 3 000 mg/L
- 

---

## **PROFESSIONAL 4" REVERSE OSMOSIS SYSTEMS**

- Best price-quality ratio
  - Proven engineering with a smart design and reliable instrumentation
  - OC5000 controller designed for automatic control of system
  - Suitable for water with TDS up to 3 000 mg/L
- 



---

## **COST EFFECTIVE 4" REVERSE OSMOSIS SYSTEMS**

- Budget-saving solution for your purified water needs
  - Tiny footprint and compact design suitable for smaller premises
  - OC5000 controller designed for automatic control of system
  - Suitable for water with TDS up to 3 000 mg/L
- 



## IOT ADVANCED

### EPS MO6500 4" REVERSE OSMOSIS SYSTEM

#### APPLICATIONS

Steam boilers, heating and cooling circuits, breweries and beverage production, livestock and poultry farms, glass manufacturing, laundry and car washes etc.

#### EQUIPMENT:

- Grundfos® CM 1-10 pump
- 300 psi membrane housing
- BB20 sediment prefilter
- Electrical panel with Ecosoft controller
- Danfoss solenoid valves
- Piping, instrumentation
- Steel frame
- Carton crate

#### KEY FEATURES

- OC6000 controller with Econnect functionality providing online access to the RO machine
- Easy to use due to smart architecture
- Modularised architecture for adding permeate flushing or raw water blending assembly to the system
- Grundfos worldwide guarantee
- CE marked and confirmed to be safe in accordance with EC New Approach Directives

#### OPTIONS

- Filmtec™ XLE-4040 / LCLE-4040 or Ecosoft ELP-4040 membrane
- Dosing pump for antiscalant
- Versatile set for raw water blending (30...240 L/h) or permeate flushing
- Break tank c/w forward feed

#### PHYSICAL PARAMETERS:

Influent water, concentrate, permeate	G ½"
Antiscalant dosing port	G ½"
Permeate flushing input port	G ½"
Approx. weight (bare system / crate)	55 kg      80 kg
Dimensions (bare system, W × D × H)	0.55 × 0.42 × 1.50 m
Dimensions (crate, W × D × H)	0.60 × 0.50 × 1.65 m



*EPS reserves the right to amend the product's system architecture without materially affecting functionality or usability*

#### IOT ADVANCED EPS MO6500 4" REVERSE OSMOSIS SYSTEM

Code	Product	Flow rate, L/h (GPH)	Membranes*	Pieces on pallet
M06500TP6	EPS M06500 Econnect RO System	200–300 (50–80)	1/40 x 40	4

\* Membranes are not included. Select membrane according to performance requirements. Refer to Membrane Selection Sheet, pg 69-71.

# 4" REVERSE OSMOSIS SYSTEMS

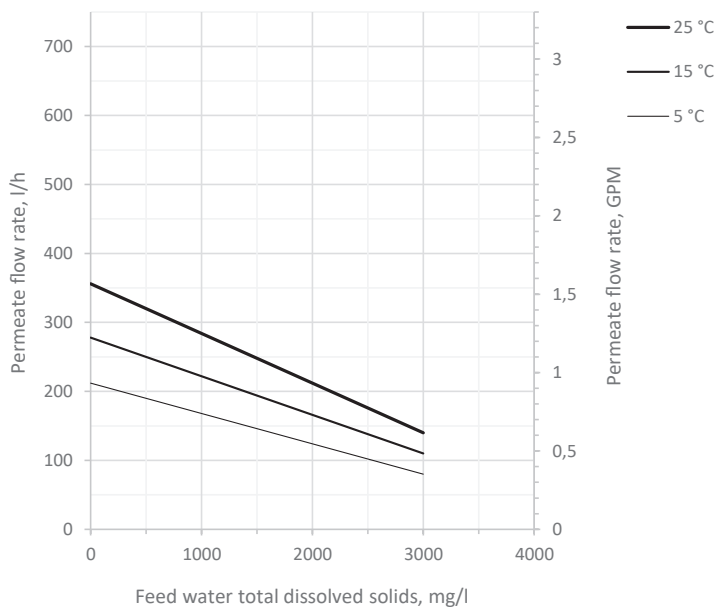
## TECHNICAL SPECIFICATION

Permeate capacity <sup>1</sup>	250 L/h
Permeate recovery <sup>2</sup>	75%
Maximum TDS	3000 mg/L
Influent flow demand	320...400 L/h (service) 1500...2000 L/h (rinse)
Operating pressure	8...12 bar
Maximum pressure	14 bar
Electrical requirements	230 V, 50 Hz (1 ph)
Electrical power	1 kW
Pre-filter rating	5 µm

<sup>1</sup> depends on feed water TDS, temperature, and permeate recovery — see graph on the right

<sup>2</sup> for low scaling/fouling water

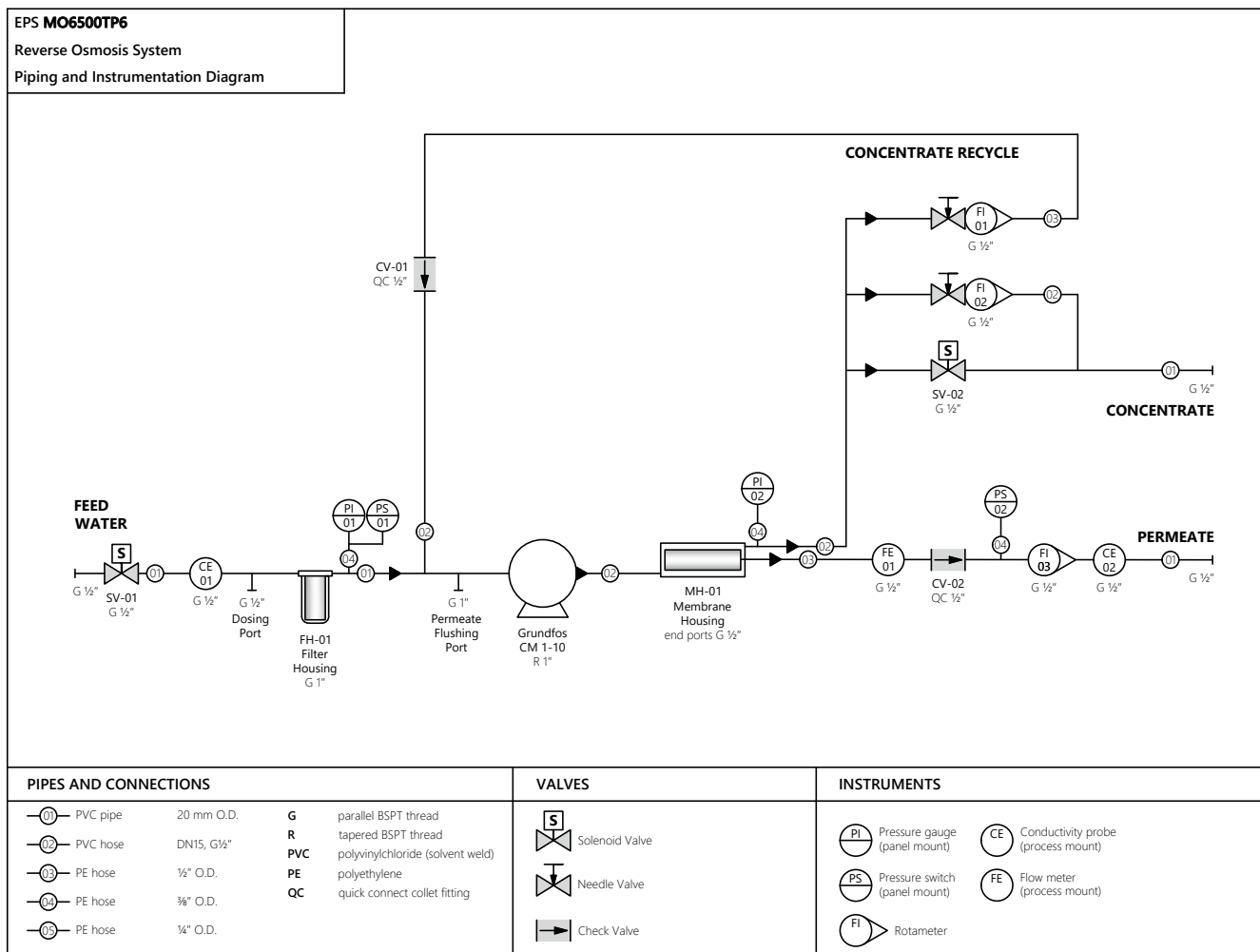
## MO6500 FLOW CAPACITY (WITH XLE-4040 MEMBRANES)



Permeate flow rates are calculated under the following conditions:

- 2 bar influent water pressure
- 0 bar backpressure in the permeate line
- fresh membranes
- XLE-4040 membranes

## PIPES AND INSTRUMENTS DIAGRAM



## IOT ADVANCED

### EPS MO12000 4" REVERSE OSMOSIS SYSTEM

#### APPLICATIONS

Steam boilers, heating and cooling circuits, breweries and beverage production, livestock and poultry farms, glass manufacturing, laundry and car washes etc.

#### EQUIPMENT:

- Grundfos® CM 1-10 pump
- 300 psi membrane housings
- BB20 sediment prefilter
- Electrical panel with controller
- Danfoss solenoid valves
- Piping, instrumentation
- Steel frame
- Carton crate

#### KEY FEATURES

- OC6000 controller with Econnect functionality providing online access to the RO machine
- Easy to use thanks to smart architecture
- Modularized architecture for adding permeate flushing or raw water blending assembly to the system
- Grundfos worldwide guarantee
- CE marked and confirmed to be safe in accordance with EC New Approach Directives

#### OPTIONS

- Filmtec™ XLE-4040 / LCLE-4040 or Ecosoft ELP-4040 membrane
- Dosing pump for antiscalant
- Versatile set for raw water blending (30...240 L/h) or permeate flushing
- Break tank c/w forward feed

#### PHYSICAL PARAMETERS

Influent water, concentrate, permeate	G ½"
Antiscalant dosing port	G ½"
Permeate flushing input port	G ½"
Approx. weight (bare system / crate)	60 kg      85 kg
Dimensions (bare system, W × D × H)	0.55 × 0.42 × 1.50 m
Dimensions (crate, W × D × H)	0.60 × 0.50 × 1.65 m



*EPS reserves the right to amend the product's system architecture without materially affecting functionality or usability*

#### IOT ADVANCED EPS MO12000 4" REVERSE OSMOSIS SYSTEM

Code	Product	Flow rate, L/h (GPH)	Membranes*	Pieces on pallet
MO12000TP6	EPS MO12000 Econnect RO System	400–550 (100–150)	2/40 x 40	4

\* Membranes are not included. Select membrane according to performance requirements. Refer to Membrane Selection Sheet, pg 69-71.

# 4" REVERSE OSMOSIS SYSTEMS

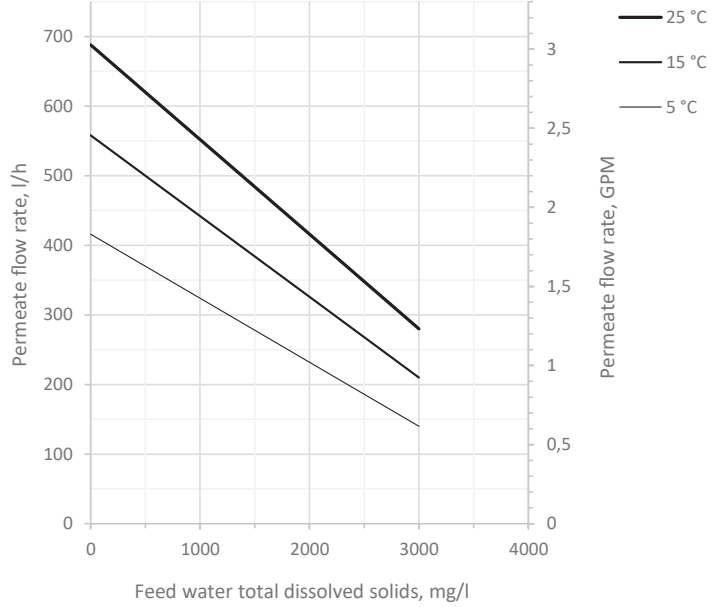
## TECHNICAL SPECIFICATION

Permeate capacity <sup>1</sup>	500 L/h
Permeate recovery <sup>2</sup>	75%
Maximum TDS	3000 mg/L
Influent flow demand	650...800 L/h (service) 1500...2000 L/h (rinse)
Operating pressure	8...12 bar
Maximum pressure	14 bar
Electrical requirements	230 V, 50 Hz (1 ph)
Electrical power	1 kW
Prefilter rating	5 µm

<sup>1</sup> depends on feed water TDS, temperature, and permeate recovery — see graph on the right

<sup>2</sup> for low scaling/fouling water

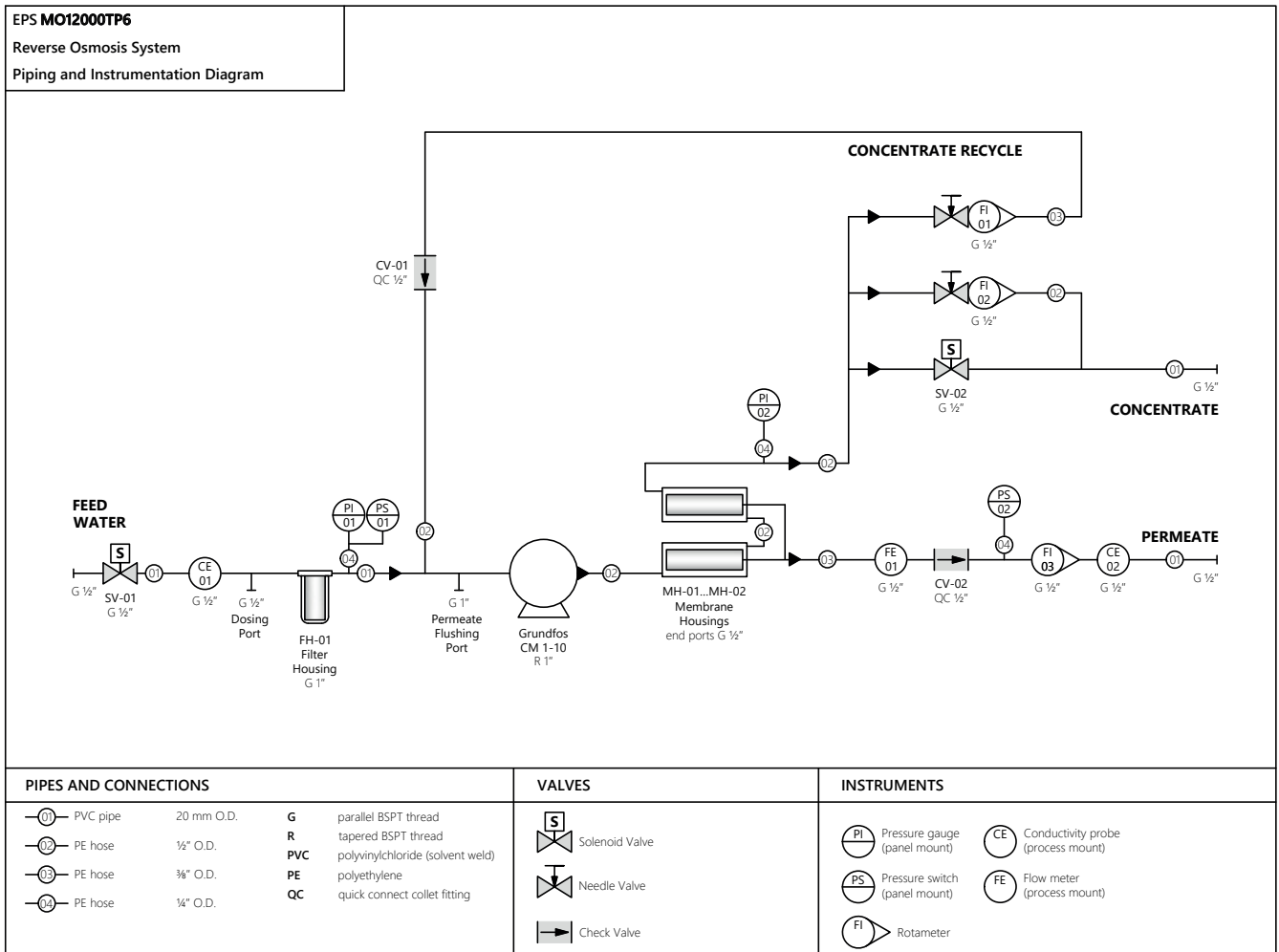
## MO12000 FLOW CAPACITY (WITH XLE-4040 MEMBRANES)



Permeate flow rates are calculated under the following conditions:

- 2 bar influent water pressure
- 0 bar backpressure in the permeate line
- fresh membranes
- XLE-4040 membranes

## PIPES AND INSTRUMENTS DIAGRAM



## IOT ADVANCED

### EPS MO24000 4" REVERSE OSMOSIS SYSTEM

#### APPLICATIONS

Steam boilers, heating and cooling circuits, breweries and beverage production, livestock and poultry farms, glass manufacturing, laundry and car washes etc.

#### EQUIPMENT:

- Grundfos® CM 3-14 pump
- 300 psi membrane housings
- BB20 sediment prefilter
- Electrical panel with controller
- Danfoss solenoid valves
- Piping, instrumentation
- Steel frame
- Carton crate

#### KEY FEATURES

- OC6000 controller with Econnect functionality providing online access to the RO machine
- Easy to use thanks to smart architecture
- Modularized architecture for adding permeate flushing or raw water blending assembly to the system
- Grundfos worldwide guarantee
- CE marked and confirmed to be safe in accordance with EC New Approach Directives

#### OPTIONS

- Filmtec™ XLE-4040 / LCLE-4040 or Ecosoft ELP-4040 membrane
- Dosing pump for antiscalant
- Versatile set for raw water blending (120...1080 L/h) or permeate flushing
- Break tank c/w forward feed

#### PHYSICAL PARAMETERS

Influent water, concentrate, permeate	G 1"
Antiscalant dosing port	G ½"
Permeate flushing input port	G 1"
Raw water blending port	G ¾"
Approx. weight (bare system / crate)	110 kg      150 kg
Dimensions (bare system, W × D × H)	0.70 × 0.60 × 1.50 m
Dimensions (crate, W × D × H)	1.00 × 0.75 × 1.90 m



*EPS reserves the right to amend the product's system architecture without materially affecting functionality or usability*

#### IOT ADVANCED EPS MO24000 4" REVERSE OSMOSIS SYSTEM

Code	Product	Flow rate, L/h (GPH)	Membranes*	Pieces on pallet
MO24000TP6	EPS MO24000 Econnect RO System	1000-1200 (250-330)	4/40 x 40	1

\* Membranes are not included. Select membrane according to performance requirements. Refer to Membrane Selection Sheet, pg 69-71.

# 4" REVERSE OSMOSIS SYSTEMS

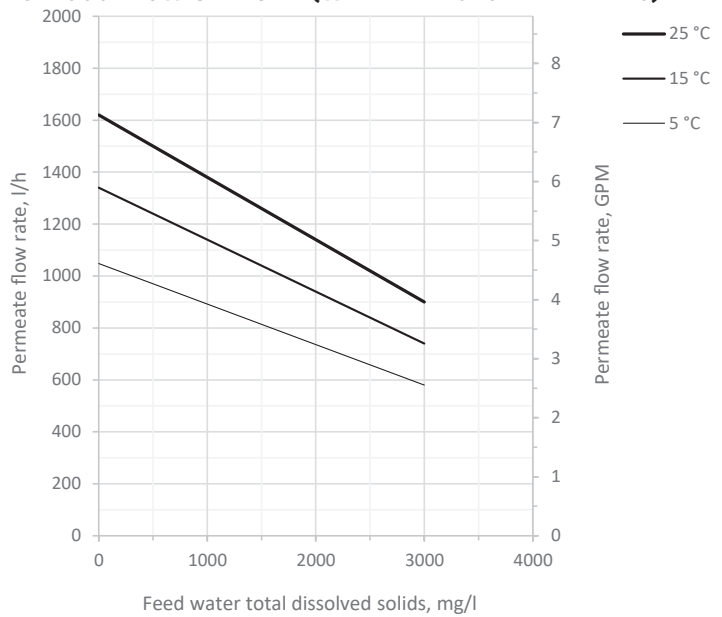
## TECHNICAL SPECIFICATION

Permeate capacity <sup>1</sup>	1000 L/h
Permeate recovery <sup>2</sup>	75%
Maximum TDS	3000 mg/L
Influent flow demand	1300...1500 L/h (service) 3000...4000 L/h (rinse)
Operating pressure	8...12 bar
Maximum pressure	14 bar
Electrical requirements	230 V, 50 Hz (1 ph)
Electrical power	2 kW
Prefilter rating	5 µm

<sup>1</sup> depends on feed water TDS, temperature, and permeate recovery — see graph on the right

<sup>2</sup> for low scaling/fouling water

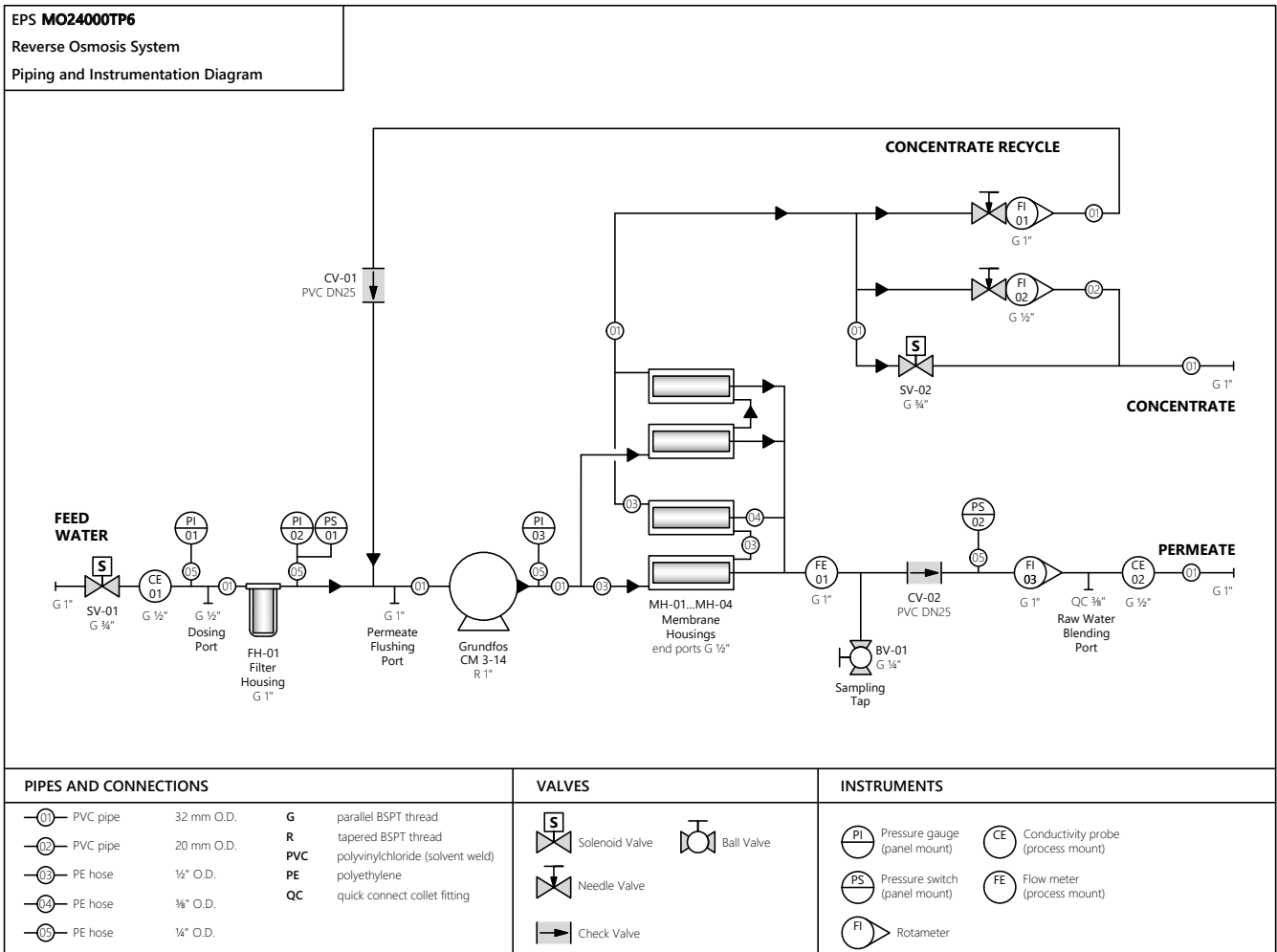
## MO24000 FLOW CAPACITY (WITH XLE-4040 MEMBRANES)



Permeate flow rates are calculated under the following conditions:

- 2 bar influent water pressure
- 0 bar backpressure in the permeate line
- fresh membranes
- XLE-4040 membranes

## PIPES AND INSTRUMENTS DIAGRAM



## IOT ADVANCED

### EPS MO36000 4" REVERSE OSMOSIS SYSTEM

#### APPLICATIONS

Steam boilers, heating and cooling circuits, breweries and beverage production, livestock and poultry farms, glass manufacturing, laundry and car washes, greenhouses etc.

#### EQUIPMENT:

- Grundfos® CM 3-14 pump
- 300 psi membrane housings
- BB20 sediment prefilter
- Electrical panel with controller
- Danfoss solenoid valves
- Piping, instrumentation
- Steel frame
- Carton crate

#### KEY FEATURES

- OC6000 controller with Econnect functionality providing online access to the RO machine
- Easy to use thanks to smart architecture
- Modularized architecture for adding permeate flushing or raw water blending assembly to the system
- Grundfos worldwide guarantee
- CE marked and confirmed to be safe in accordance with EC New Approach Directives

#### OPTIONS

- Filmtec™ XLE-4040 / LCLE-4040 or Ecosoft ELP-4040 membrane
- Dosing pump for antiscalant
- Versatile set for raw water blending (120...1080 L/h) or permeate flushing
- Break tank c/w forward feed

#### PHYSICAL PARAMETERS

Influent water, concentrate, permeate	G 1"
Antiscalant dosing port	G ½"
Permeate flushing input port	G 1"
Raw water blending port	G ¾"
Approx. weight (bare system / crate)	130 kg      170 kg
Dimensions (bare system, W × D × H)	0.90 × 0.60 × 1.50 m
Dimensions (crate, W × D × H)	1.20 × 0.75 × 1.90 m



*EPS reserves the right to amend the product's system architecture without materially affecting functionality or usability*

#### IOT ADVANCED EPS MO36000 4" REVERSE OSMOSIS SYSTEM

Code	Product	Flow rate, L/h (GPH)	Membranes*	Pieces on pallet
MO36000TP6	EPS MO36000 Econnect RO System	1400–1600 (350–420)	6/40 x 40	1

\* Membranes are not included. Select membrane according to performance requirements. Refer to Membrane Selection Sheet, pg 69-71.



# 4" REVERSE OSMOSIS SYSTEMS

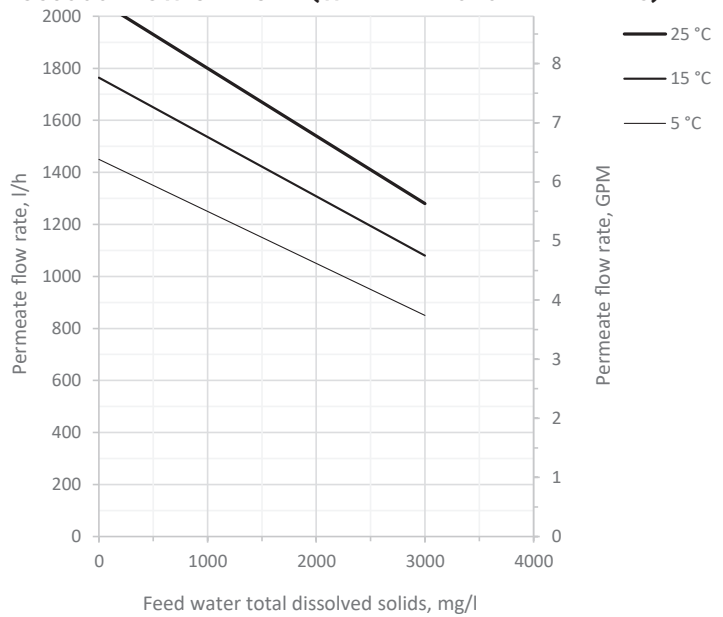
## TECHNICAL SPECIFICATION

Permeate capacity <sup>1</sup>	1500 L/h
Permeate recovery <sup>2</sup>	75%
Maximum TDS	3000 mg/L
Influent flow demand	2000...2500 L/h (service) 3000...4000 L/h (rinse)
Operating pressure	8...12 bar
Maximum pressure	14 bar
Electrical requirements	230 V, 50 Hz (1 ph)
Electrical power	2 kW
Prefilter rating	5 µm

<sup>1</sup> depends on feed water TDS, temperature, and permeate recovery — see graph on the right

<sup>2</sup> for low scaling/fouling water

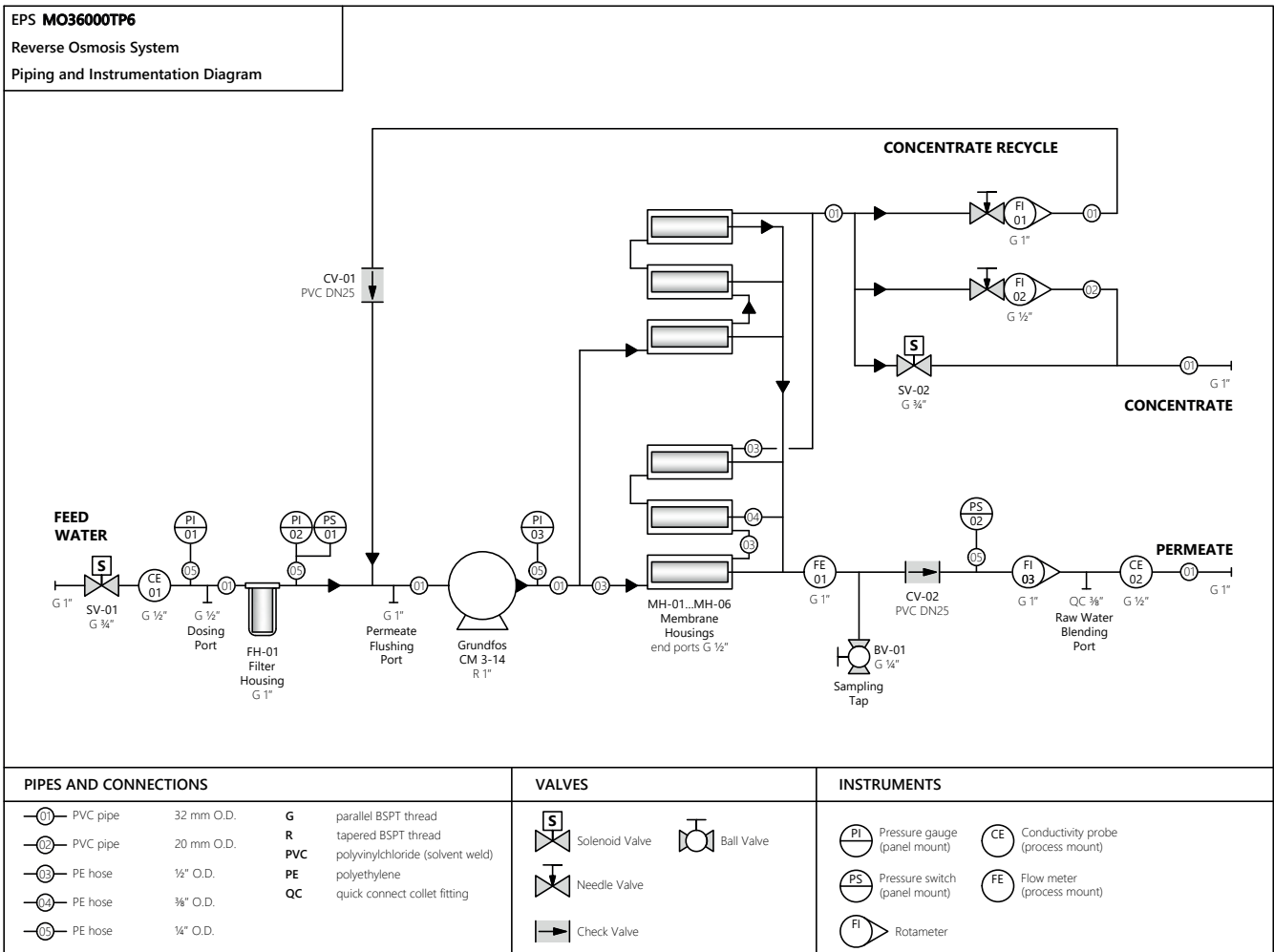
## MO36000 FLOW CAPACITY (WITH XLE-4040 MEMBRANES)



Permeate flow rates are calculated under the following conditions:

- 2 bar influent water pressure
- 0 bar backpressure in the permeate line
- fresh membranes
- XLE-4040 membranes

## PIPES AND INSTRUMENTS DIAGRAM



## PROFESSIONAL

### EPS M06500 4" REVERSE OSMOSIS SYSTEM

#### APPLICATIONS

Steam boilers, heating and cooling circuits, breweries and beverage production, livestock and poultry farms, glass manufacturing, laundry and car washes, etc.

#### EQUIPMENT:

- Grundfos® CM 1-10 pump
- 300 psi membrane housing
- BB20 sediment prefilter
- Electrical panel with controller
- Danfoss solenoid valves
- Piping, instrumentation
- Steel frame
- Carton crate

#### KEY FEATURES

- OC5000 controller
- Easy to use thanks to smart architecture
- Modularized architecture for adding permeate flushing or raw water blending assembly to the system
- Grundfos worldwide guarantee
- CE marked and confirmed to be safe in accordance with EC New Approach Directives

#### OPTIONS

- Filmtec™ XLE-4040 / LCLE-4040 or Ecosoft ELP-4040 membrane
- Dosing pump for antiscalant
- Versatile set for raw water blending (30...240 L/h) or permeate flushing
- Break tank c/w forward feed

#### PHYSICAL PARAMETERS:

Influent water, concentrate, permeate	G ½"
Antiscalant dosing port	G ½"
Permeate flushing input port	G ½"
Approx. weight (bare system / crate)	55 kg      80 kg
Dimensions (bare system, W × D × H)	0.55 × 0.42 × 1.50 m
Dimensions (crate, W × D × H)	0.60 × 0.50 × 1.65 m



*EPS reserves the right to amend the product's system architecture without materially affecting functionality or usability*

#### PROFESSIONAL EPS M06500 4" REVERSE OSMOSIS SYSTEM

Code	Product	Flow rate, L/h (GPH)	Membranes*	Pieces on pallet
M06500TP5	EPS M06500 RO System	200–300 (50–80)	1/40 x 40	4

\* Membranes are not included. Select membrane according to performance requirements. Refer to Membrane Selection Sheet, pg 69-71.

# 4" REVERSE OSMOSIS SYSTEMS

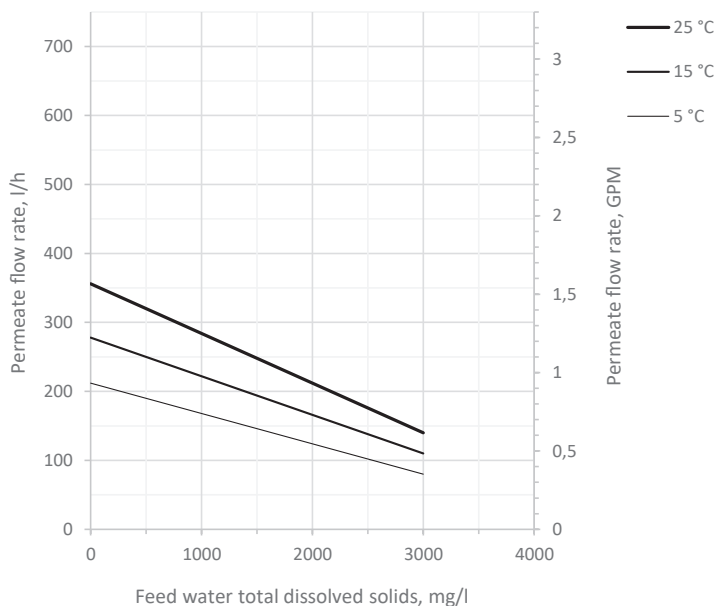
## TECHNICAL SPECIFICATION

Permeate capacity <sup>1</sup>	250 L/h
Permeate recovery <sup>2</sup>	75%
Maximum TDS	3000 mg/L
Influent flow demand	320...400 L/h (service) 1500...2000 L/h (rinse)
Operating pressure	8...12 bar
Maximum pressure	14 bar
Electrical requirements	230 V, 50 Hz (1 ph)
Electrical power	1 kW
Prefilter rating	5 µm

<sup>1</sup> depends on feed water TDS, temperature, and permeate recovery — see graph on the right

<sup>2</sup> for low scaling/fouling water

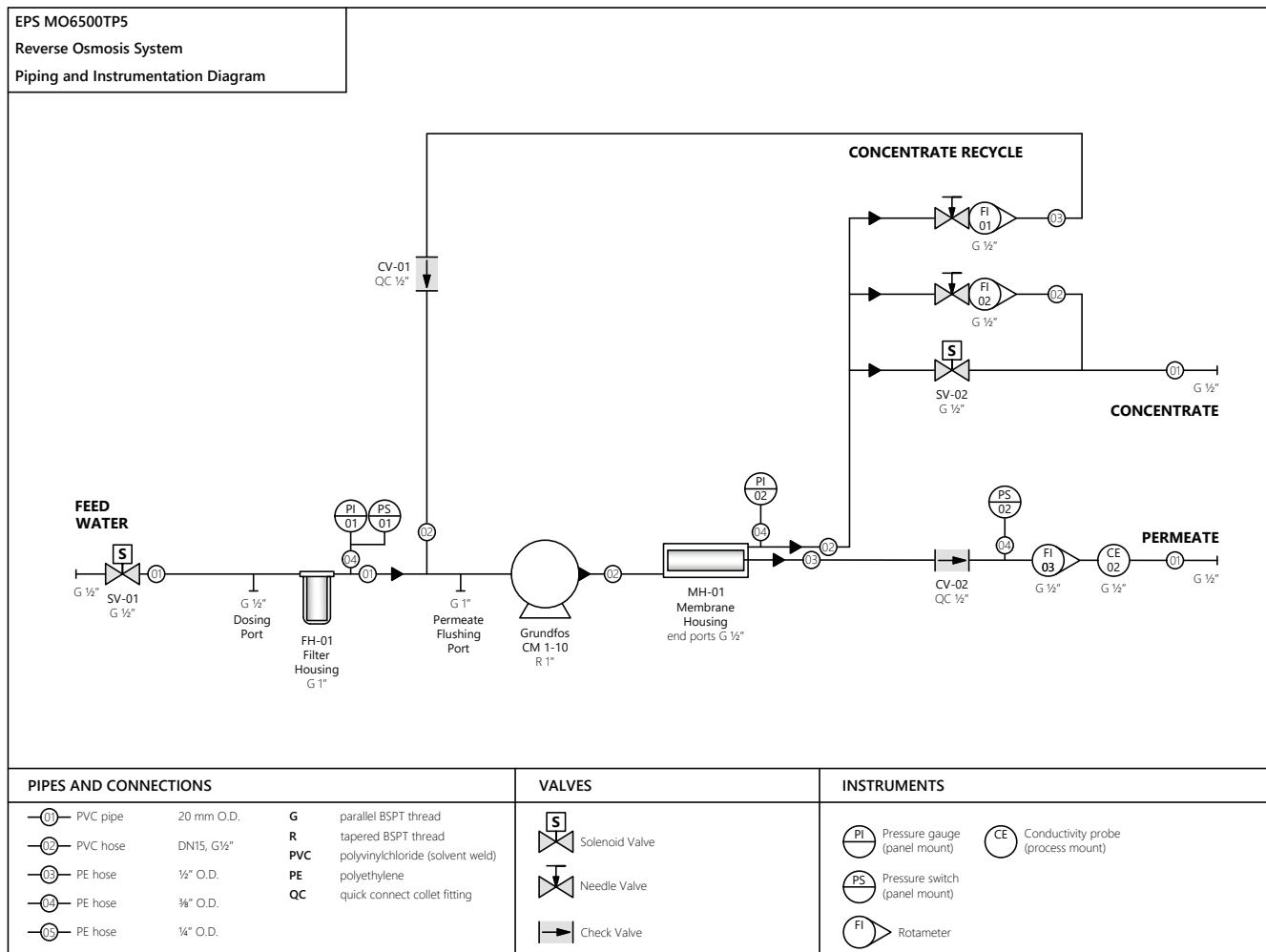
## MO6500 FLOW CAPACITY (WITH XLE-4040 MEMBRANES)



Permeate flow rates are calculated under the following conditions:

- 2 bar influent water pressure
- 0 bar backpressure in the permeate line
- fresh membranes
- XLE-4040 membranes

## PIPES AND INSTRUMENTS DIAGRAM



## PROFESSIONAL

### EPS MO12000 4" REVERSE OSMOSIS SYSTEM

#### APPLICATIONS

Steam boilers, heating and cooling circuits, breweries and beverage production, livestock and poultry farms, glass manufacturing, laundry and car washes etc.

#### EQUIPMENT:

- Grundfos® CM 1-10 pump
- 300 psi membrane housings
- BB20 sediment prefilter
- Electrical panel with controller
- Danfoss solenoid valves
- Piping, instrumentation
- Steel frame
- Carton crate

#### KEY FEATURES

- OC5000 controller
- Easy to use thanks to smart architecture
- Modularized architecture for adding permeate flushing or raw water blending assembly to the system
- Grundfos worldwide guarantee
- CE marked and confirmed to be safe in accordance with EC New Approach Directives

#### OPTIONS

- Filmtec™ XLE-4040 / LCLE-4040 or Ecosoft ELP-4040 membrane
- Dosing pump for antiscalant
- Versatile set for raw water blending (30...240 L/h) or permeate flushing
- Break tank c/w forward feed

#### PHYSICAL PARAMETERS

Influent water, concentrate, permeate	G ½"
Antiscalant dosing port	G ½"
Permeate flushing input port	G ½"
Approx. weight (bare system / crate)	60 kg      85 kg
Dimensions (bare system, W × D × H)	0.55 × 0.42 × 1.50 m
Dimensions (crate, W × D × H)	0.60 × 0.50 × 1.65 m



*EPS reserves the right to amend the product's system architecture without materially affecting functionality or usability*

#### PROFESSIONAL EPS MO12000 4" REVERSE OSMOSIS SYSTEM

Code	Product	Flow rate, L/h (GPH)	Membranes*	Pieces on pallet
MO12000TP5	EPS MO12000 RO System	400–550 (100–150)	2/40 x 40	4

\* Membranes are not included. Select membrane according to performance requirements. Refer to Membrane Selection Sheet, pg 69-71.

# 4" REVERSE OSMOSIS SYSTEMS

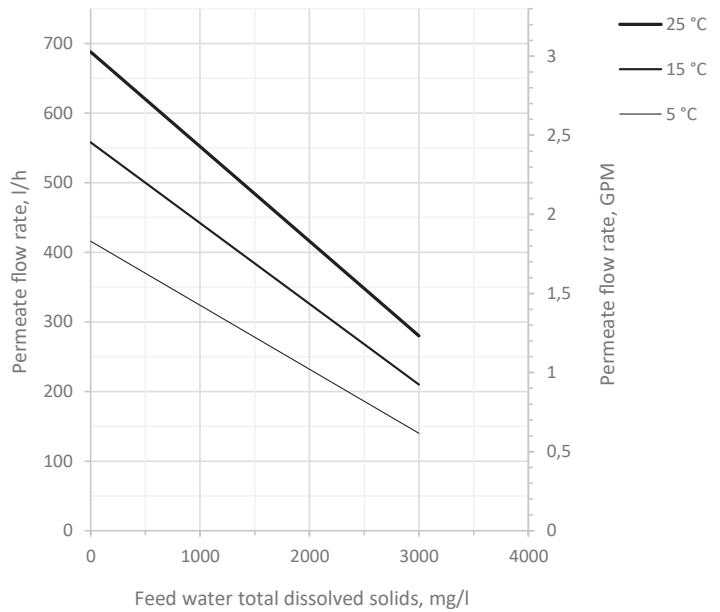
## TECHNICAL SPECIFICATION

Permeate capacity <sup>1</sup>	500 L/h
Permeate recovery <sup>2</sup>	75%
Maximum TDS	3000 mg/L
Influent flow demand	650...800 L/h (service) 1500...2000 L/h (rinse)
Operating pressure	8...12 bar
Maximum pressure	14 bar
Electrical requirements	230 V, 50 Hz (1 ph)
Electrical power	1 kW
Prefilter rating	5 µm

<sup>1</sup> depends on feed water TDS, temperature, and permeate recovery — see graph on the right

<sup>2</sup> for low scaling/fouling water

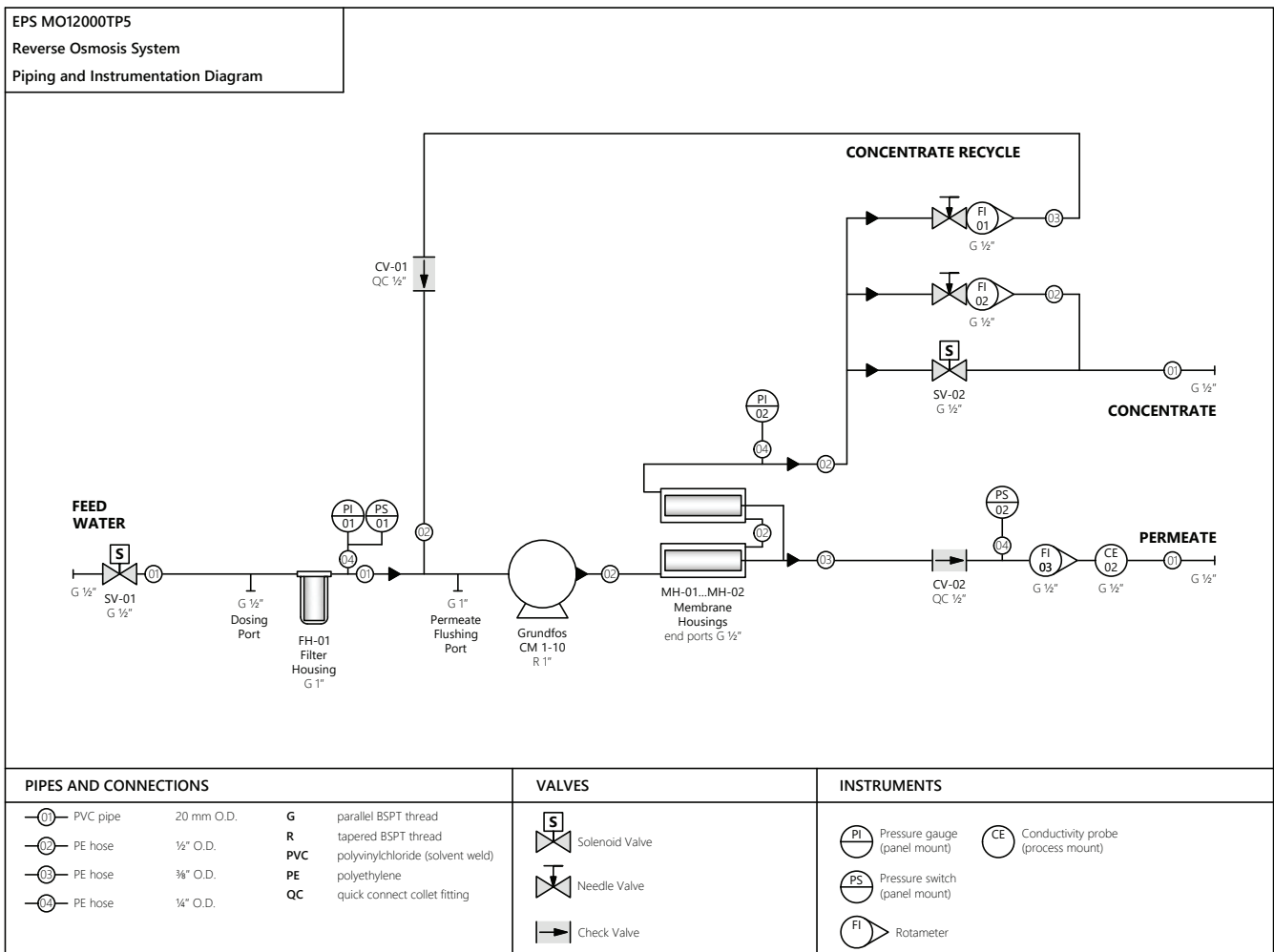
## MO12000 FLOW CAPACITY (WITH XLE-4040 MEMBRANES)



Permeate flow rates are calculated under the following conditions:

- 2 bar influent water pressure
- 0 bar backpressure in the permeate line
- fresh membranes
- XLE-4040 membranes

## PIPES AND INSTRUMENTS DIAGRAM



## PROFESSIONAL

### EPS MO24000 4" REVERSE OSMOSIS SYSTEM

#### APPLICATIONS

Steam boilers, heating and cooling circuits, breweries and beverage production, livestock and poultry farms, glass manufacturing, laundry and car washes etc.

#### EQUIPMENT:

- Grundfos® CM 3-14 pump
- 300 psi membrane housings
- BB20 sediment prefilter
- Electrical panel with Ecosoft controller
- Danfoss solenoid valves
- Piping, instrumentation
- Steel frame
- Carton crate

#### KEY FEATURES

- OC5000 controller
- Easy to use thanks to smart architecture
- Modularized architecture for adding permeate flushing or raw water blending assembly to the system
- Grundfos worldwide guarantee
- CE marked and confirmed to be safe in accordance with EC New Approach Directives

#### OPTIONS

- Filmtec™ XLE-4040 / LCLE-4040 or Ecosoft ELP-4040 membrane
- Dosing pump for antiscalant
- Versatile set for raw water blending (120...1080 L/h) or permeate flushing
- Break tank c/w forward feed

#### PHYSICAL PARAMETERS

Influent water, concentrate, permeate	G 1"
Antiscalant dosing port	G ½"
Permeate flushing input port	G 1"
Raw water blending port	G ¾"
Approx. weight (bare system / crate)	110 kg      150 kg
Dimensions (bare system, W × D × H)	0.70 × 0.60 × 1.50 m
Dimensions (crate, W × D × H)	1.00 × 0.75 × 1.90 m



*EPS reserves the right to amend the product's system architecture without materially affecting functionality or usability*

#### PROFESSIONAL EPS MO24000 4" REVERSE OSMOSIS SYSTEM

Code	Product	Flow rate, L/h (GPH)	Membranes*	Pieces on pallet
MO24000TP5	EPS MO24000 RO System	1000-1200 (250-330)	4/40 x 40	1

\* Membranes are not included. Select membrane according to performance requirements. Refer to Membrane Selection Sheet, pg 69-71.

# 4" REVERSE OSMOSIS SYSTEMS

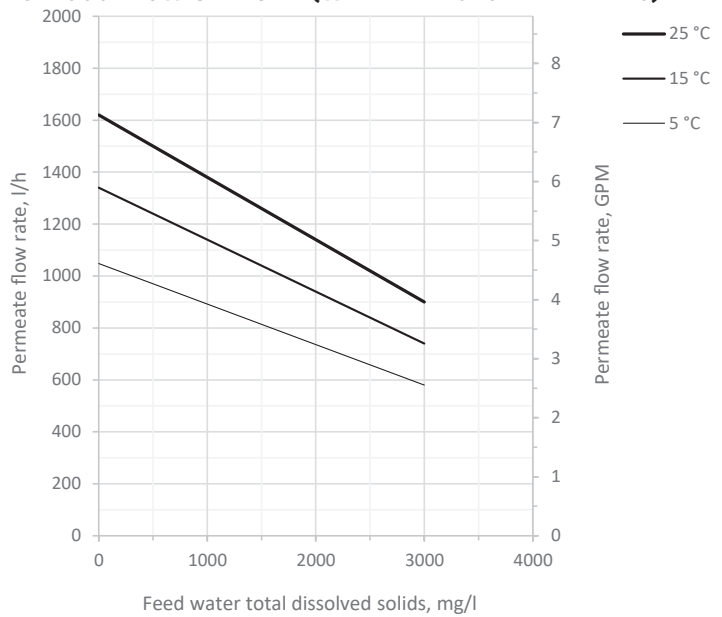
## TECHNICAL SPECIFICATION

Permeate capacity <sup>1</sup>	1000 L/h
Permeate recovery <sup>2</sup>	75%
Maximum TDS	3000 mg/L
Influent flow demand	1300...1500 L/h (service) 3000...4000 L/h (rinse)
Operating pressure	8...12 bar
Maximum pressure	14 bar
Electrical requirements	230 V, 50 Hz (1 ph)
Electrical power	2 kW
Pre-filter rating	5 µm

<sup>1</sup> depends on feed water TDS, temperature, and permeate recovery — see graph on the right

<sup>2</sup> for low scaling/fouling water

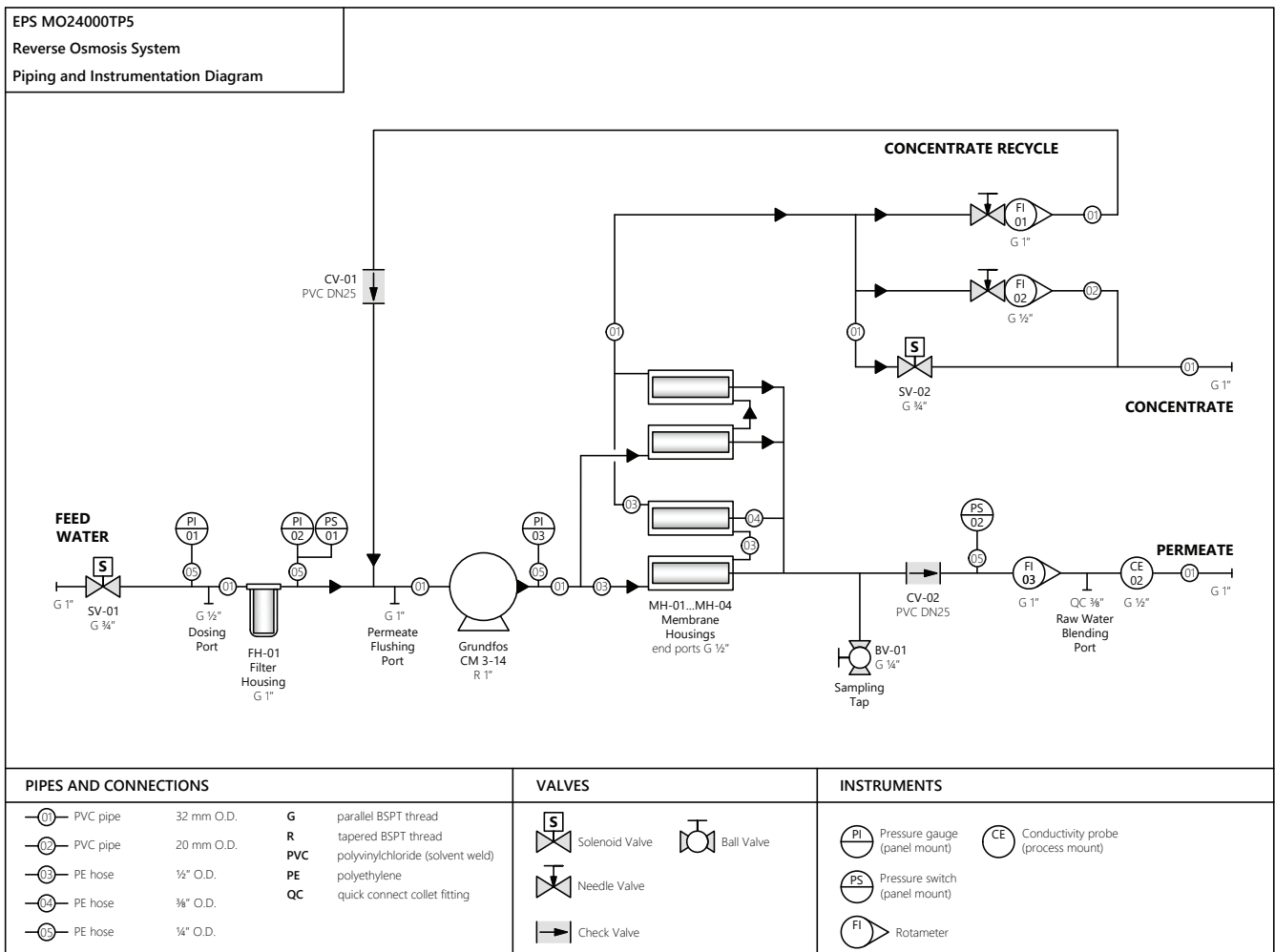
## MO24000 FLOW CAPACITY (WITH XLE-4040 MEMBRANES)



Permeate flow rates are calculated under the following conditions:

- 2 bar influent water pressure
- 0 bar backpressure in the permeate line
- fresh membranes
- XLE-4040 membranes

## PIPES AND INSTRUMENTS DIAGRAM



## PROFESSIONAL

### EPS MO36000 4" REVERSE OSMOSIS SYSTEM

#### APPLICATIONS

Steam boilers, heating and cooling circuits, breweries and beverage production, livestock and poultry farms, glass manufacturing, laundry, car washes and greenhouses etc.

#### EQUIPMENT:

- Grundfos® CM 3-14 pump
- 300 psi membrane housings
- BB20 sediment prefilter
- Electrical panel with controller
- Danfoss solenoid valves
- Piping, instrumentation
- Steel frame
- Carton crate

#### KEY FEATURES

- OC5000 controller
- Easy to use thanks to smart architecture
- Modularized architecture for adding permeate flushing or raw water blending assembly to the system
- Grundfos worldwide guarantee
- CE marked and confirmed to be safe in accordance with EC New Approach Directives

#### OPTIONS

- Filmtec™ XLE-4040 / LCLE-4040 or Ecosoft ELP-4040 membrane
- Dosing pump for antiscalant
- Versatile set for raw water blending (120...1080 L/h) or permeate flushing
- Break tank c/w forward feed

#### PHYSICAL PARAMETERS

Influent water, concentrate, permeate	G 1"
Antiscalant dosing port	G ½"
Permeate flushing input port	G 1"
Raw water blending port	G ¾"
Approx. weight (bare system / crate)	130 kg      170 kg
Dimensions (bare system, W × D × H)	0.90 × 0.60 × 1.50 m
Dimensions (crate, W × D × H)	1.20 × 0.75 × 1.90 m



*EPS reserves the right to amend the product's system architecture without materially affecting functionality or usability*

#### PROFESSIONAL EPS MO36000 4" REVERSE OSMOSIS SYSTEM

Code	Product	Flow rate, L/h (GPH)	Membranes*	Pieces on pallet
MO36000TP5	EPS MO36000 RO System	1400–1600 (350–420)	6/40 x 40	1

\* Membranes are not included. Select membrane according to performance requirements. Refer to Membrane Selection Sheet, pg 69-71.



# 4" REVERSE OSMOSIS SYSTEMS

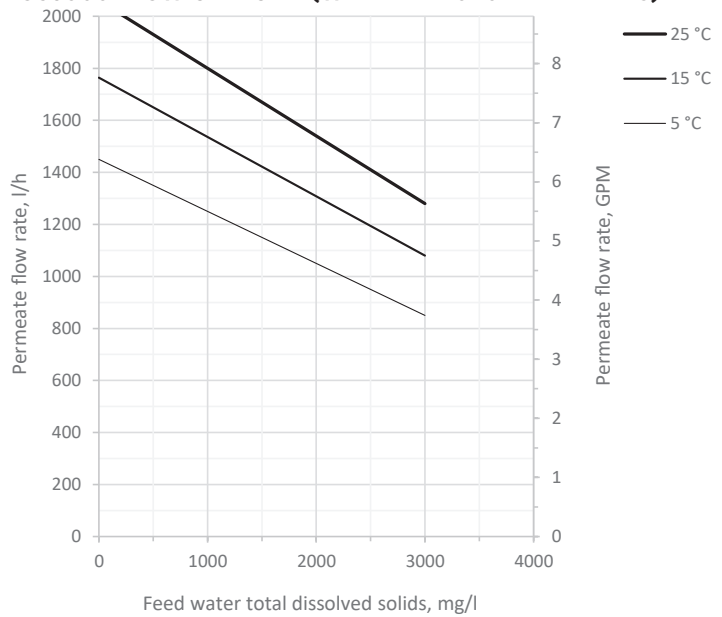
## TECHNICAL SPECIFICATION

Permeate capacity <sup>1</sup>	1500 L/h
Permeate recovery <sup>2</sup>	75%
Maximum TDS	3000 mg/L
Influent flow demand	2000...2500 L/h (service) 3000...4000 L/h (rinse)
Operating pressure	8...12 bar
Maximum pressure	14 bar
Electrical requirements	230 V, 50 Hz (1 ph)
Electrical power	2 kW
Prefilter rating	5 µm

<sup>1</sup> depends on feed water TDS, temperature, and permeate recovery — see graph on the right

<sup>2</sup> for low scaling/fouling water

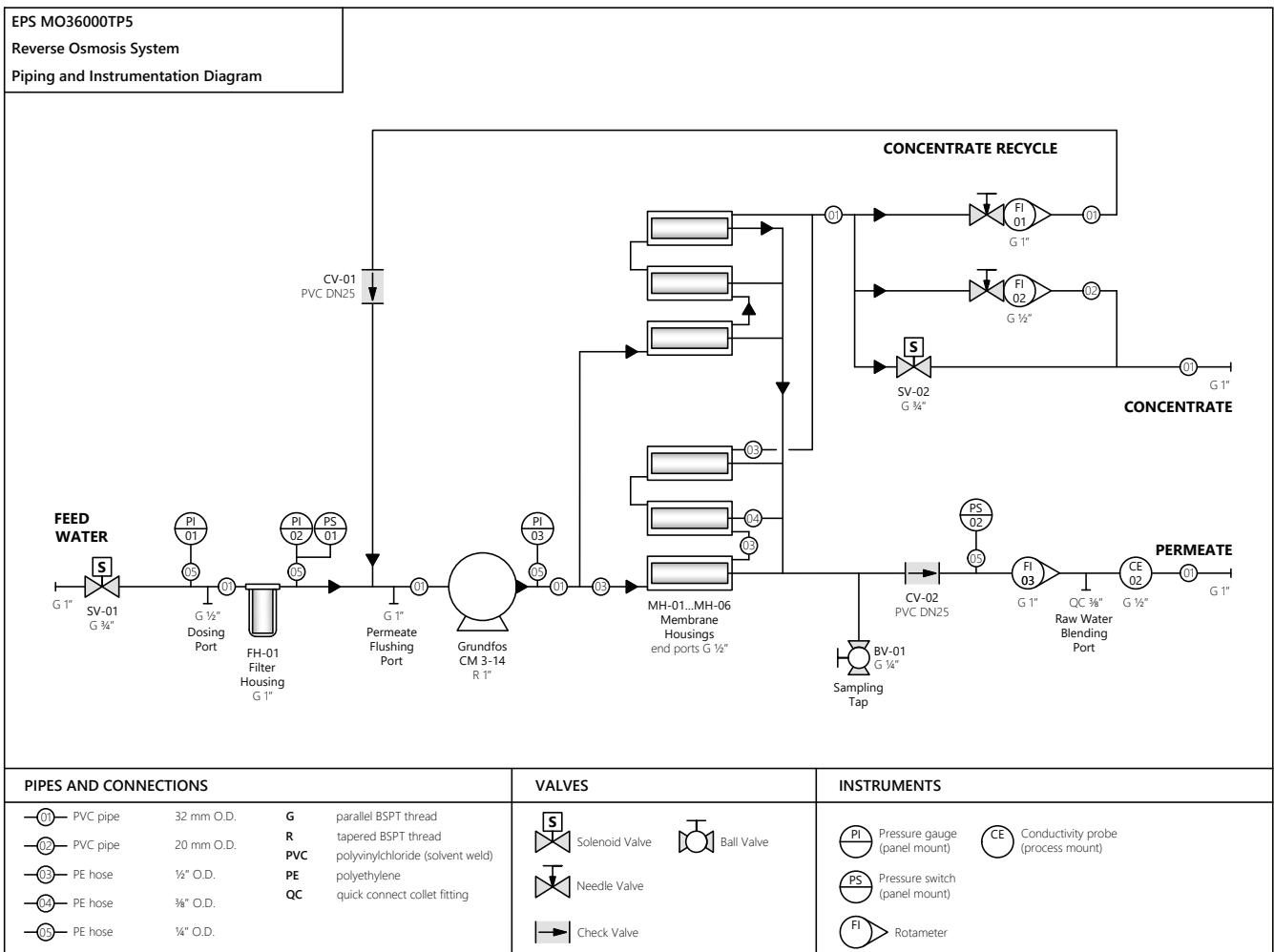
## MO36000 FLOW CAPACITY (WITH XLE-4040 MEMBRANES)



Permeate flow rates are calculated under the following conditions:

- 2 bar influent water pressure
- 0 bar backpressure in the permeate line
- fresh membranes
- XLE-4040 membranes

## PIPES AND INSTRUMENTS DIAGRAM



## COST EFFECTIVE

### EPS MO5000 4" REVERSE OSMOSIS SYSTEM

#### APPLICATIONS

Steam boilers, heating and cooling circuits, breweries and beverage production, livestock and poultry farms, glass manufacturing, laundry and car washes etc.

#### EQUIPMENT:

- Grundfos® CM 1-10 pump
- 300 psi membrane housing
- 2.5 × 10" sediment prefilter
- Electrical panel with controller
- Danfoss solenoid valve
- Piping, instrumentation
- Steel frame
- Wooden crate

#### KEY FEATURES

- OC5000 controller
- Saves up to 55% of space\*
- Easy to use thanks to smart architecture
- Grundfos worldwide guarantee
- CE marked and confirmed to be safe in accordance with EC New Approach Directives
- \* Compared to MO6500

#### OPTIONS

- Filmtec™ XLE-4040 / LCLE-4040 or Ecosoft ELP-4040 membrane
- Break tank c/w forward feed

#### PHYSICAL PARAMETERS

Influent water, concentrate, permeate	G ½"	
Approx. weight (bare system / crate)	45 kg	60 kg
Dimensions (bare system, W × D × H)	0.29 × 0.36 × 1.48 m	
Dimensions (crate, W × D × H)	0.3 × 0.4 × 1.65 m	

#### EPS MO5000 4" REVERSE OSMOSIS SYSTEM

Code	Product	Flow rate, L/h (GPH)	Membranes*	Pieces on pallet
MO5000TP5	EPS MO5000 RO System	200–300 (50–80)	1/40 x 40	9

\* Membranes are not included. Select membrane according to performance requirements. Refer to Membrane Selection Sheet, pg 69-71.



*EPS reserves the right to amend the product's system architecture without materially affecting functionality or usability*

# 4" REVERSE OSMOSIS SYSTEMS

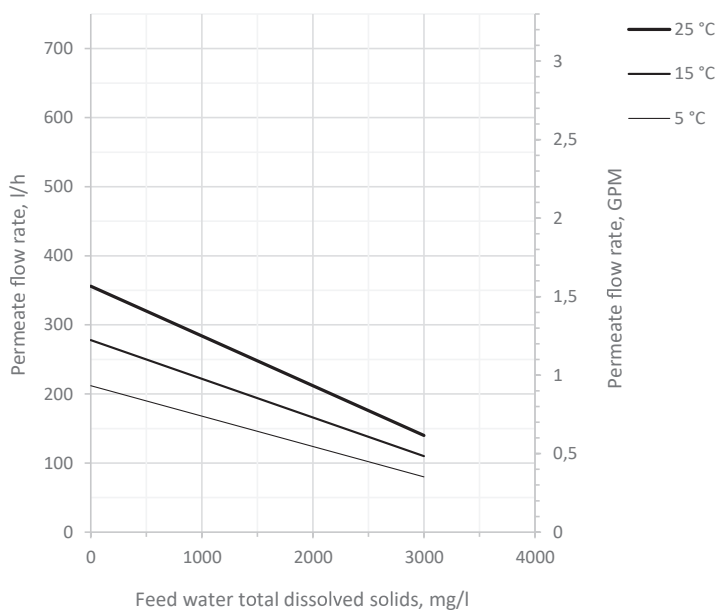
## TECHNICAL SPECIFICATION

Permeate capacity <sup>1</sup>	250 L/h
Permeate recovery <sup>2</sup>	75%
Maximum TDS	3000 mg/L
Influent flow demand	320...400 L/h (service)
Operating pressure	8...12 bar
Maximum pressure	14 bar
Electrical requirements	230 V, 50 Hz (1 ph)
Electrical power	1 kW
Prefilter rating	5 µm

<sup>1</sup> depends on feed water TDS, temperature, and permeate recovery — see graph on the right

<sup>2</sup> for low scaling/fouling water

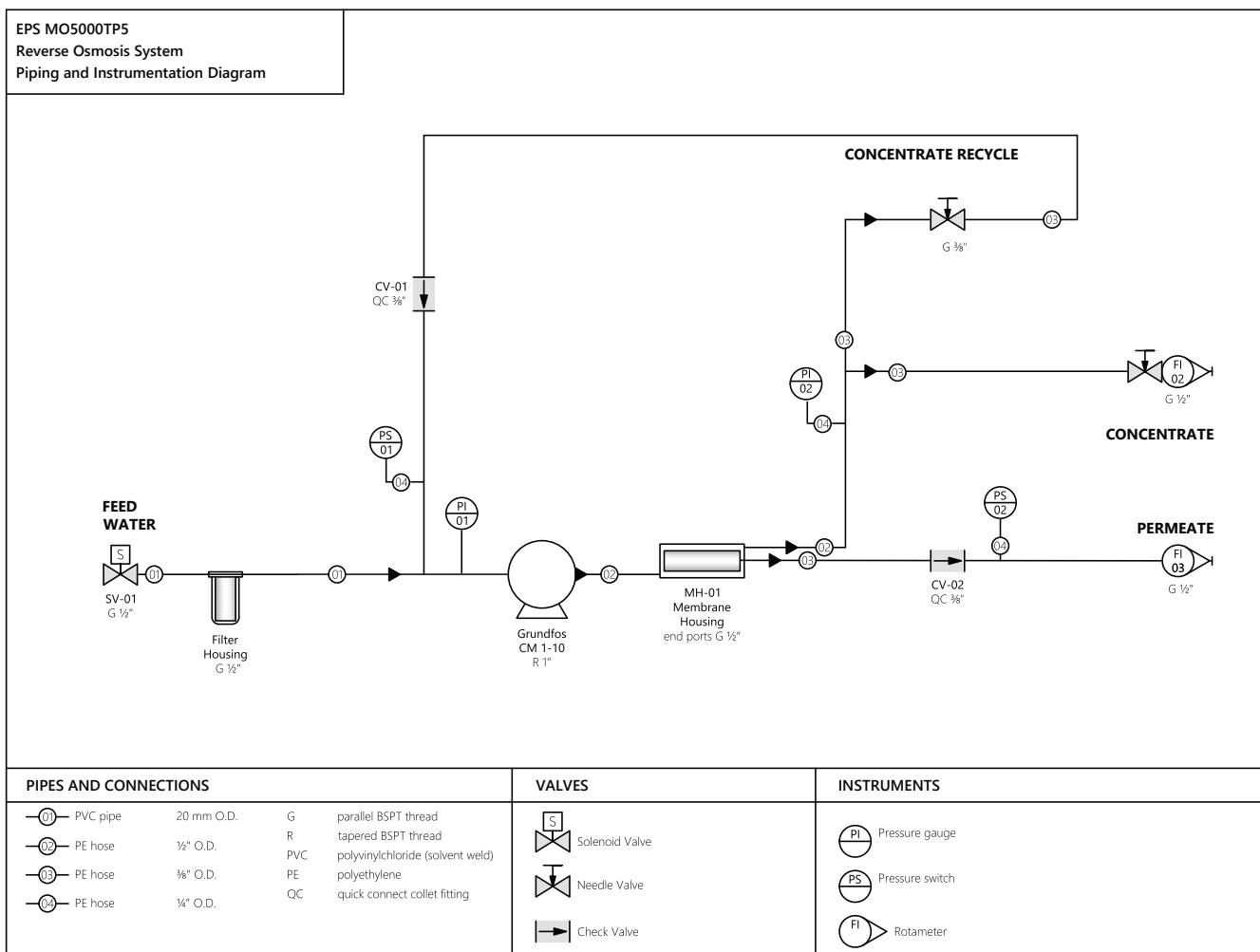
## MOS5000 FLOW CAPACITY (WITH XLE-4040 MEMBRANE)



Permeate flow rates are calculated under the following conditions:

- 2 bar influent water pressure
- 0 bar backpressure in the permeate line
- fresh membranes
- XLE-4040 membranes

## PIPES AND INSTRUMENTS DIAGRAM



## COST EFFECTIVE

### EPS MO10000 4" REVERSE OSMOSIS SYSTEM

#### APPLICATIONS

Steam boilers, heating and cooling circuits, breweries and beverage production, livestock and poultry farms, glass manufacturing, laundry and car washes etc.

#### EQUIPMENT:

- Grundfos® CM 1-10 pump
- 300 psi membrane housing
- 2.5 × 10" sediment prefilter
- Electrical panel with controller
- Danfoss solenoid valve
- Piping, instrumentation
- Steel frame
- Wooden crate

#### KEY FEATURES

- OC5000 controller
- Saves up to 55% of space\*
- Easy to use thanks to smart architecture
- Grundfos worldwide guarantee
- CE marked and confirmed to be safe in accordance with EC New Approach Directives
- \* Compared to MO12000

#### OPTIONS

- Filmtec™ XLE-4040 / LCLE-4040 or Ecosoft ELP-4040 membranes
- Break tank c/w forward feed

#### PHYSICAL PARAMETERS

Influent water, concentrate, permeate	G ½"	
Approx. weight (bare system / crate)	50 kg	65 kg
Dimensions (bare system, W × D × H)	0.29 × 0.36 × 1.48 m	
Dimensions (crate, W × D × H)	0.3 × 0.4 × 1.65 m	

#### EPS MO10000 4" REVERSE OSMOSIS SYSTEM

Code	Product	Flow rate, L/h (GPH)	Membranes*	Pieces on pallet
M010000TP5	EPS MO10000 RO System	400–550 (100–150)	2/40 x 40	9

\* Membranes are not included. Select membrane according to performance requirements. Refer to Membrane Selection Sheet, pg 69-71.



*EPS reserves the right to amend the product's system architecture without materially affecting functionality or usability*

# 4" REVERSE OSMOSIS SYSTEMS

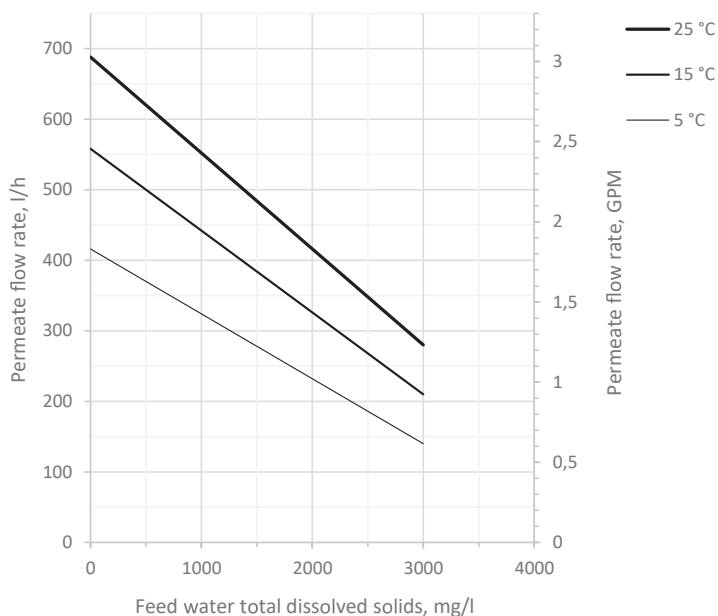
## TECHNICAL SPECIFICATION

Permeate capacity <sup>1</sup>	500 L/h
Permeate recovery <sup>2</sup>	75%
Maximum TDS	3000 mg/L
Influent flow demand	650...800 L/h (service)
Operating pressure	8...12 bar
Maximum pressure	14 bar
Electrical requirements	230 V, 50 Hz (1 ph)
Electrical power	1 kW
Pre-filter rating	5 µm

<sup>1</sup> depends on feed water TDS, temperature, and permeate recovery — see graph on the right

<sup>2</sup> for low scaling/fouling water

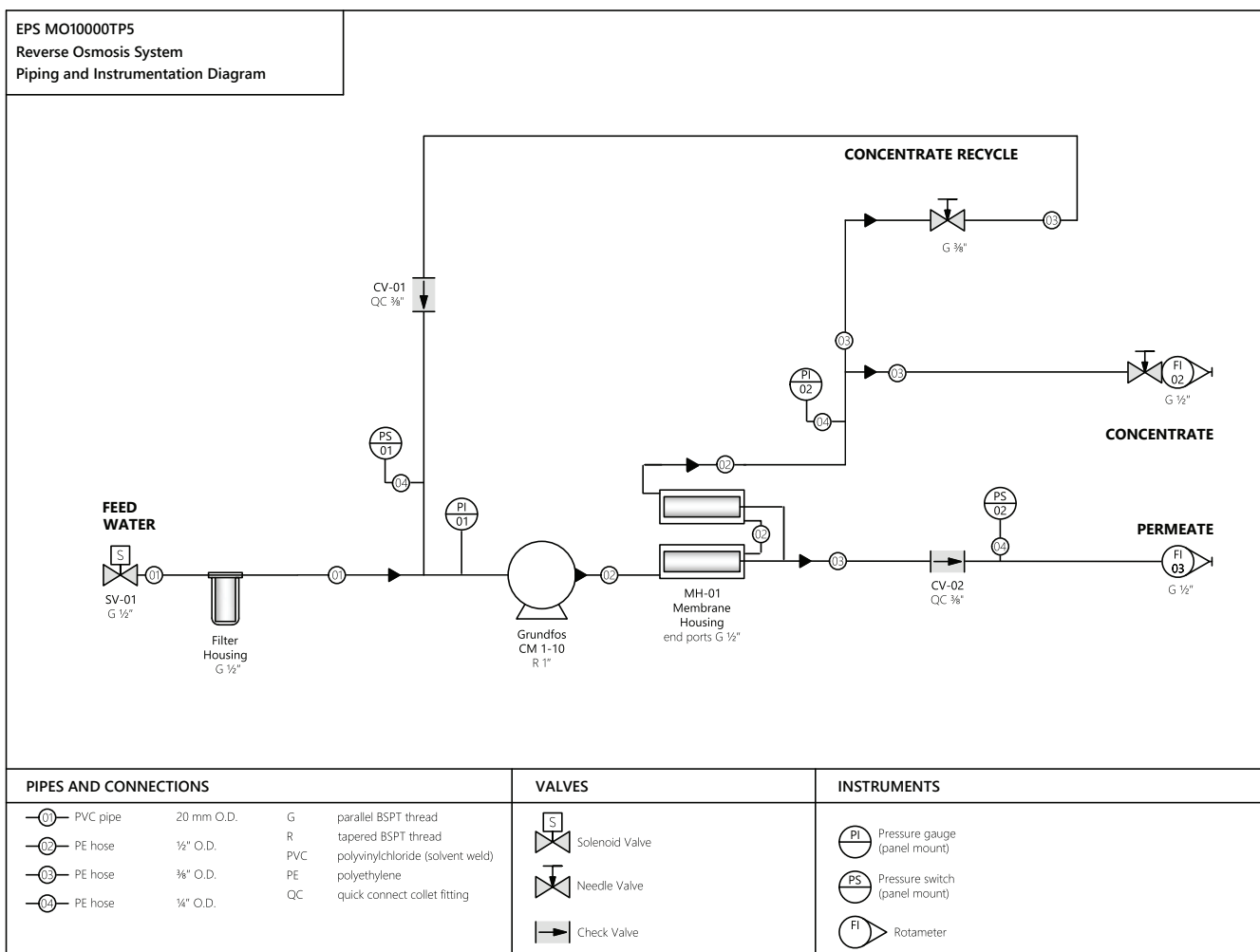
## MO10000 FLOW CAPACITY (WITH XLE-4040 MEMBRANES)



Permeate flow rates are calculated under the following conditions:

- 2 bar influent water pressure
- 0 bar backpressure in the permeate line
- fresh membranes
- XLE-4040 membranes

## PIPES AND INSTRUMENTS DIAGRAM



## REVERSE OSMOSIS SYSTEM EPS MO20000

### APPLICATIONS

Steam boilers, heating and cooling circuits, breweries and beverage production, livestock and poultry farms, glass manufacturing, laundry, car washes and greenhouses etc.

### EQUIPMENT:

- Grundfos® CR 3-15 pump
- 300 psi membrane housing
- Electrical panel with controller
- Danfoss solenoid valve
- Piping, instrumentation
- Steel frame
- Wooden crate

### KEY FEATURES

- Saves of space, in 2 times\*
  - Saves up to 43% of energy\*
  - Original design
  - Easy to use thanks to smart architecture
  - OC5000 controller
  - Grundfos worldwide guarantee
  - CE marked and confirmed to be safe in accordance with EC New Approach Directives
- \* Compared to MO24000

### OPTIONS

- Filmtec™ XLE-4040 / LCLE-4040 or Ecosoft ELP-4040 membranes

### PHYSICAL PARAMETERS

Influent water	G ¾"
Concentrate	G ½"
Permeate	G 1"
Approx. weight (bare system / crate)	90 kg      95 kg
Dimensions (bare system, W × D × H)	0.495 × 0.395 × 1.48 m
Dimensions (crate, W × D × H)	0.5 × 0.4 × 1.5 m

### EPS MO20000 4" REVERSE OSMOSIS SYSTEM

Code	Product	Flow rate, L/h (GPH)	Membranes*	Pieces on pallet
MO20000TP5	EPS MO20000 RO System	1000–1200 (250–330)	4/40 x 40	6

\* Membranes are not included. Select membrane according to performance requirements. Refer to Membrane Selection Sheet, pg 69-71.



*EPS reserves the right to amend the product's system architecture without materially affecting functionality or usability*

# 4" REVERSE OSMOSIS SYSTEMS

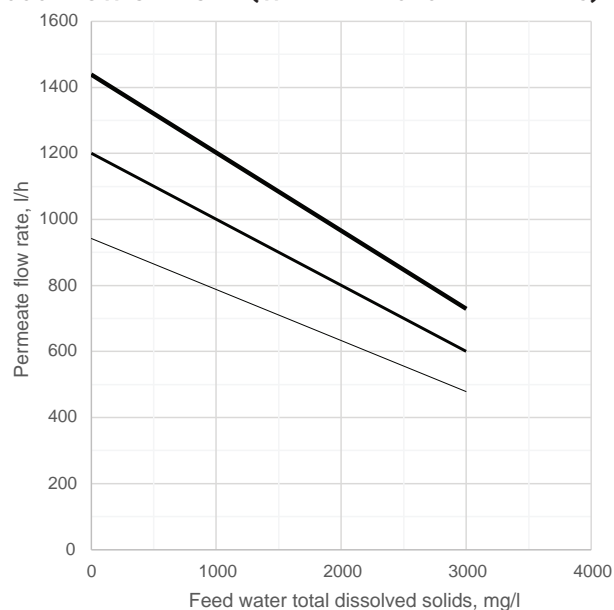
## TECHNICAL SPECIFICATION

Permeate capacity <sup>1</sup>	1000 L/h
Permeate recovery <sup>2</sup>	75%
Maximum TDS	3000 mg/L
Influent flow demand	1300...1500 L/h
Operating pressure	8...12 bar
Maximum pressure	14 bar
Electrical requirements	230 V, 50 Hz (1 ph)
Electrical power	1.4 kW

<sup>1</sup> depends on feed water TDS, temperature, and permeate recovery — see graph on the right

<sup>2</sup> for low scaling/fouling water

## MO20000 FLOW CAPACITY (WITH XLE-4040 MEMBRANES)

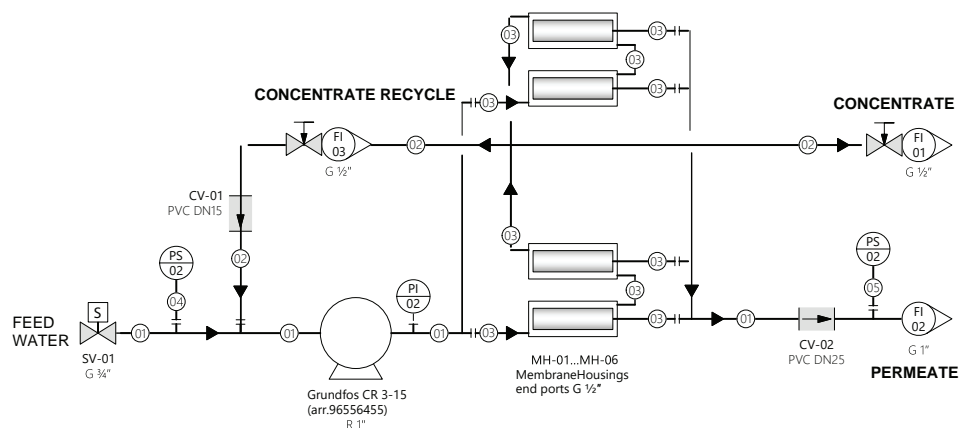


Permeate flow rates are calculated under the following conditions:

- 2 bar influent water pressure
- 0 bar backpressure in the permeate line
- fresh membranes
- XLE-4040 membranes

## PIPES AND INSTRUMENTS DIAGRAM

EPS MO20000TP5Reverse  
Osmosis System Piping and  
Instrumentation Diagram



### PIPES AND CONNECTIONS

—(1)—	PVC pipe	∅ 32 mm	G	parallel BSPT thread
—(2)—	PVC pipe	∅ 20 mm	PVC	polyvinylchloride (solventweld)
—(3)—	PE hose/PE	∅ 1/2"		
—(4)—	hose	∅ 1/4"		

### VALVES

(S)	Solenoid Valve
(N)	Needle Valve
(C)	Check Valve

### INSTRUMENTS

(PI)	Pressure gauge (panel mount)
(PS)	Pressure switch (panel mount)
(FI)	Rotameter

## REVERSE OSMOSIS SYSTEM EPS MO30000

### APPLICATIONS

Steam boilers, heating and cooling circuits, breweries and beverage production, livestock and poultry farms, glass manufacturing, laundry, car washes and greenhouses etc.

### EQUIPMENT:

- Grundfos® CR 3-15 pump
- 300 psi membrane housing
- Electrical panel with controller
- Danfoss solenoid valve
- Piping, instrumentation
- Steel frame
- Wooden crate

### KEY FEATURES

- Space saving, in 2.65 times
  - Saves up to 43% of energy
  - Original design
  - Easy to use, due to smart architecture
  - OC5000 controller
  - Grundfos worldwide guarantee
  - CE marked and confirmed to be safe in accordance with EC New Approach Directives
- \* Compared to MO24000

### OPTIONS

- Filmtec™ XLE-4040 / LCLE-4040 or Ecosoft ELP-4040 membranes

### PHYSICAL PARAMETERS

Influent water	G ¾"
Concentrate	G ½"
Permeate	G 1"
Approx. weight (bare system / crate)	95 kg      100 kg
Dimensions (bare system, W × D × H)	0.495 × 0.395 × 1.48 m
Dimensions (crate, W × D × H)	0.5 × 0.4 × 1.5 m

### EPS MO20000 4" REVERSE OSMOSIS SYSTEM

Code	Product	Flow rate, L/h (GPH)	Membranes*	Pieces on pallet
M030000TP5	EPS M030000 RO System	1400–1600 (350–420)	6/40 x 40	6

\* Membranes are not included. Select membrane according to performance requirements. Refer to Membrane Selection Sheet, pg 69-71.



*EPS reserves the right to amend the product's system architecture without materially affecting functionality or usability*



# 4" REVERSE OSMOSIS SYSTEMS

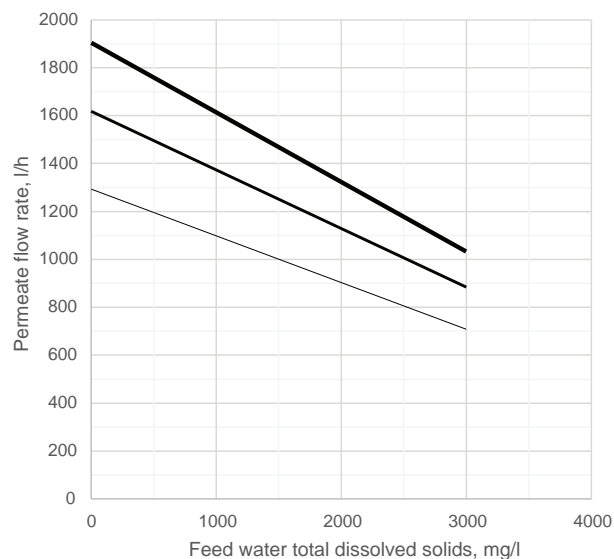
## TECHNICAL SPECIFICATION

Permeate capacity <sup>1</sup>	1500 L/h
Permeate recovery <sup>2</sup>	75%
Maximum TDS	3000 mg/L
Influent flow demand	2000...2500 L/h
Operating pressure	8...12 bar
Maximum pressure	14 bar
Electrical requirements	230 V, 50 Hz (1 ph)
Electrical power	1.4 kW

<sup>1</sup> depends on feed water TDS, temperature, and permeate recovery — see graph on the right

<sup>2</sup> for low scaling/fouling water

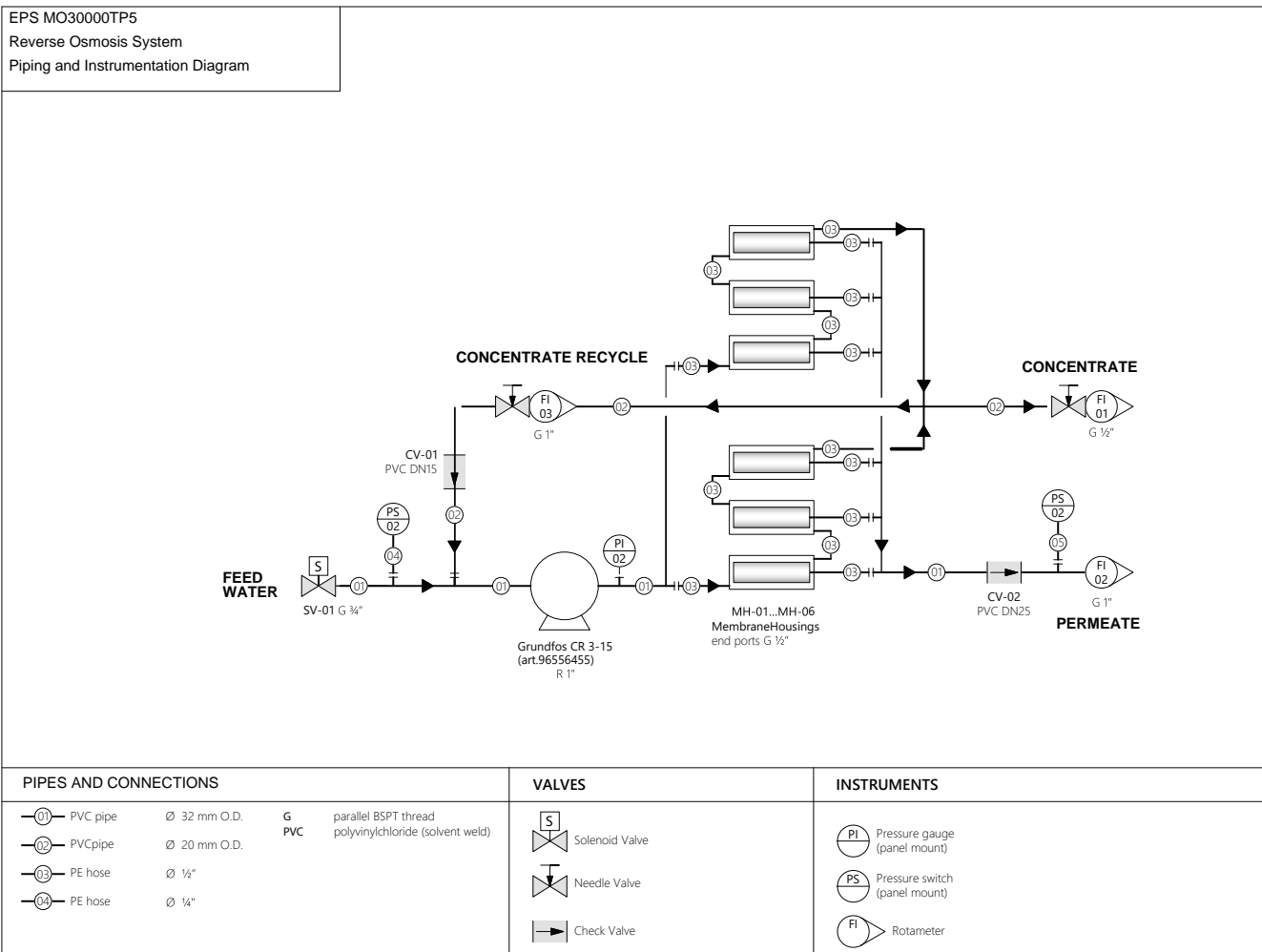
## MO300000 FLOW CAPACITY (WITH XLE-4040 MEMBRANES)



Permeate flow rates are calculated under the following conditions:

- 2 bar influent water pressure
- 0 bar backpressure in the permeate line
- fresh membranes
- XLE-4040 membranes

## PIPES AND INSTRUMENTS DIAGRAM



## INSTALLATION OF THE ASSEMBLY FOR WATER BLENDING

### VERSATILE SET FOR RAW WATER BLENDING (30...240 L/H) OR PERMEATE FLUSHING FOR EPS MO6500, MO12000 4" RO SYSTEMS

#### APPLICATIONS

This product is a dual purpose retrofittable assembly for MO6500 and MO12000 reverse osmosis systems.

When set up for water blending, the product allows to blend water from any stage of the water treatment process to the RO permeate. The product can also be set up for permeate flushing of membranes in the following cases:

- Insufficient supply water flow capacity for normal membrane flush
- Longer membrane service life before CIP is required, especially on difficult feed water analysis
- Supply water treatment process can be sized to a smaller flow capacity absent the peak flow demand during membrane flush

#### COMPONENTS:

- Solenoid valve
- 30...240 L/h rotameter
- Piping assembly
- Mounting bracket
- Installation and use manual

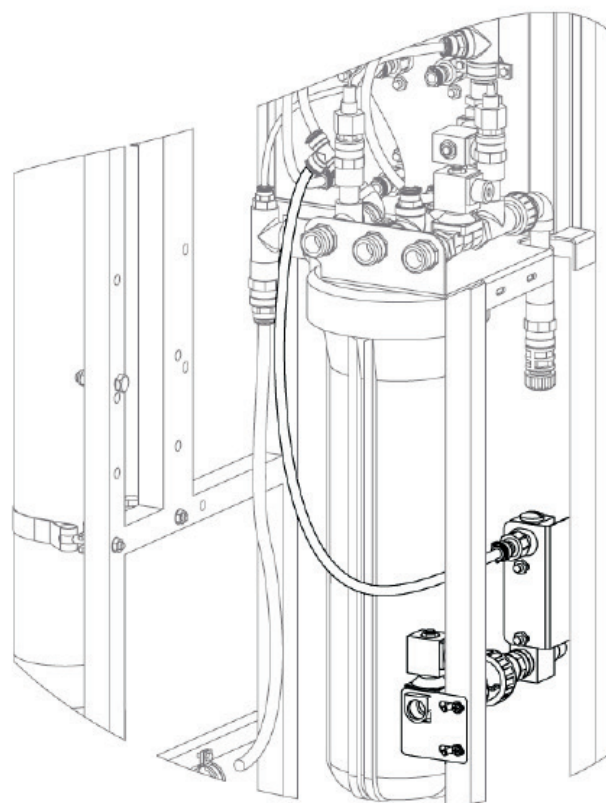
#### KEY FEATURES:

- Quick and easy installation
- Possibility of additional installation if necessary
- Detailed instructions on connecting

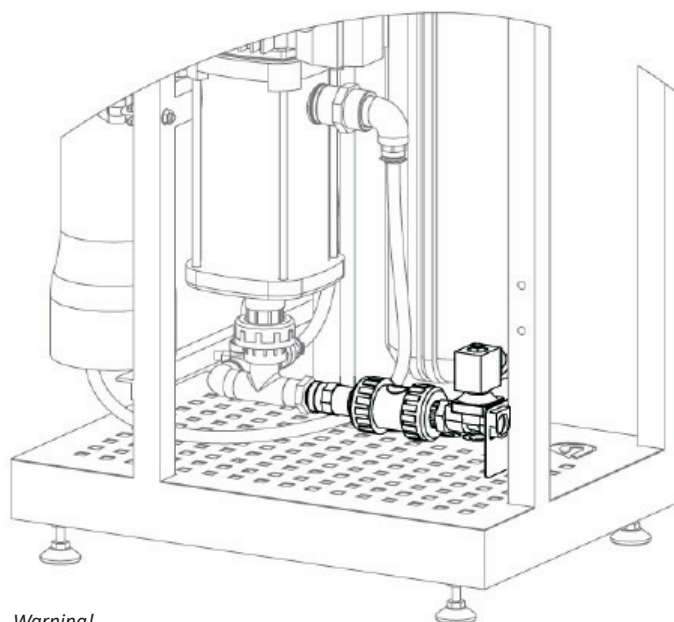
#### PHYSICAL PARAMETERS

Connection port size	1/2"
Approx. weight (packaged)	1.5 kg
Dimensions (W × D × H) <sup>1</sup>	0.38 × 0.30 × 0.23 m

<sup>1</sup> Dimensions may vary ± 5%



## INSTALLATION OF THE ASSEMBLY FOR PERMEATE FLUSHING



**Warning!**  
Please note that the product can only be set up for either water blending or permeate flushing, but not both!  
The set is delivered as a separate product to be fitted on an RO system during installation / startup.

#### VERSATILE SET FOR RAW WATER BLENDING OR PERMEATE FLUSHING IN EPS MO6500, MO12000 4" RO SYSTEMS

Code	Product	Flow rate	Connection port type
PIM0612*	EPS PIM0612	30–240 L/h	G 1/2" female

\* Not applicable for Standard series

## VERSATILE SET FOR RAW WATER BLENDING (120...1080 L/H) OR PERMEATE FLUSHING FOR EPS MO24000, MO36000 4" RO SYSTEMS

### APPLICATIONS

This product is a dual purpose retrofittable assembly for MO24000 and MO36000 reverse osmosis systems.

When set up for water blending, the product allows to blend water from any stage of the water treatment process to the RO permeate. The product can also be set up for permeate flushing of membranes in the following cases:

- Insufficient supply water flow capacity for normal membrane flush
- Longer membrane service life before CIP is required, especially on difficult feed water analysis
- Supply water treatment process can be sized to a smaller flow capacity absent the peak flow demand during membrane flush.

### COMPONENTS:

- Solenoid valve
- 120...1080 L/h rotameter
- Piping assembly
- Mounting bracket
- Installation and use manual

### KEY FEATURES:

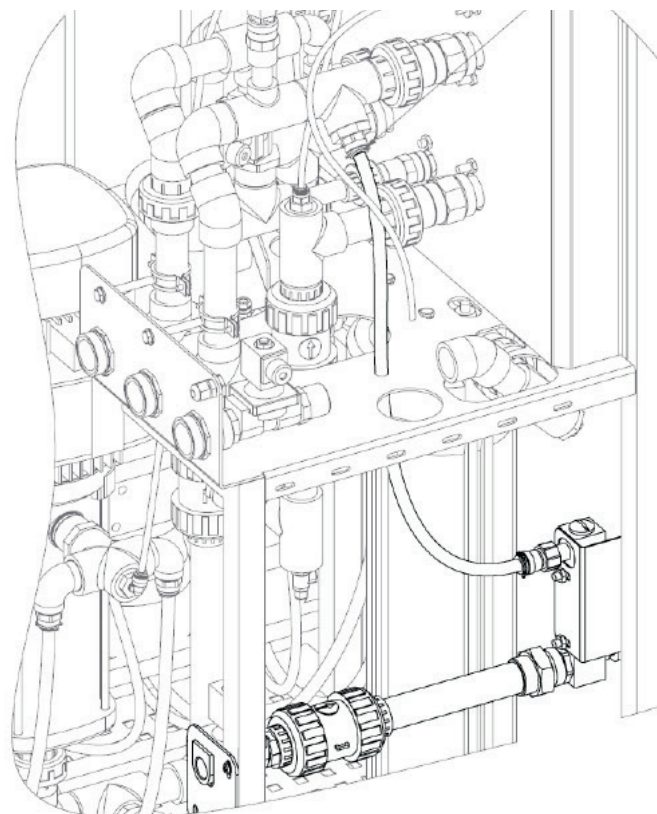
- Quick and easy installation
- Retrofittable to operational systems
- Installation and use manual

### PHYSICAL PARAMETERS

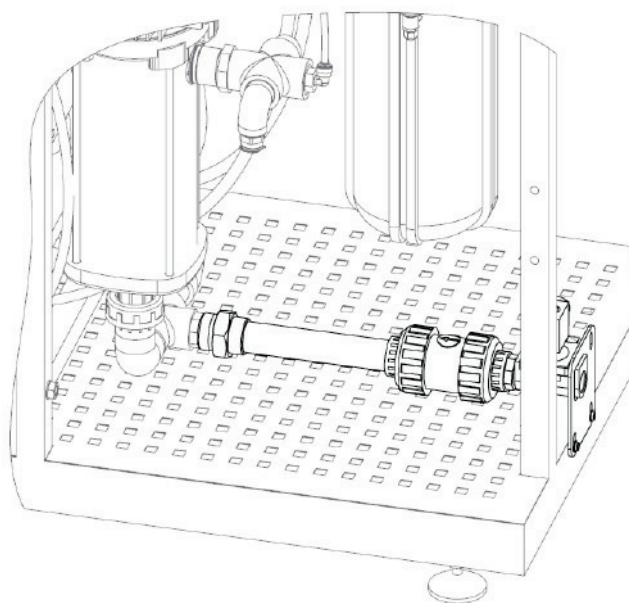
Connection port size	3/4"
Approx. weight (packaged)	2.5 kg
Dimensions (W × D × H) <sup>1</sup>	0.38 × 0.30 × 0.23 m

<sup>1</sup> Dimensions may vary ± 5%

INSTALLATION OF THE ASSEMBLY FOR WATER BLENDING



INSTALLATION OF THE ASSEMBLY FOR PERMEATE FLUSHING



**Warning!**

Please note that the product can only be set up for either water blending or permeate flushing, but not both!

The set is delivered as a separate product to be fitted on an RO system during installation / startup.

### VERSATILE SET FOR RAW WATER BLENDING OR PERMEATE FLUSHING IN EPS MO24000, MO36000 4" RO SYSTEMS

Code	Product	Flow rate	Connection port type
PIM02436 *	EPS PIM02436	120–1080 L/h	G ¾" female

\* Not applicable for Standard series

## RO MEMBRANES

Code/Product	Description
ELP4040	Ecosoft 4" ELP-4040
XLE4040	Dow Filmtec™ 4" XLE-4040
LCLE4040	Dow Filmtec™ 4" LCLE-4040
ELP8040	Ecosoft 8" ELP-8040
XLE440	Dow Filmtec™ 8" XLE-440
ECOPRO440	Dow Filmtec™ 8" ECO PRO-440

## CIP UNITS FOR EPS MO SYSTEMS

Code/Product	Description
CIPSEP4	EPS CIP unit for 2.5", 4" membranessystems
CIPSEP	EPS CIP unit for 8" membranes systems (for MO2 to MO4)
CIPSEP616	EPS CIP unit for 8" membranes systems (for MO6 to MO16)
CIPSEP2030	EPS CIP unit for industrial MO systems (MO20 to MO30)

## DOSING PUMP KITS

### APPLICATIONS:

Dosing water treatment chemicals for reverse osmosis, ultrafiltration, heating/cooling circuits, boiler feed water, process water, CIP systems, water remineralization, and other additives

### KEY FEATURES:

- Simple and reliable design (solenoid pump)
- Built-in electrical protection against power surges and overvoltage
- Chemical tank for maximum chemical compatibility
- High accuracy with low flow rates

### MAIN COMPONENTS:

- Dosing pump
- Suction valve with foot filter and level probe
- Injection valve
- Pack of hoses
- Chemical tank with mounting bracket
- 500 mL graduated cylinder
- Water meter with pulse output (proportional dosing pumps only)



- Continuous chemical injection
- Suitable for high flow applications
- High wear resistance in demanding conditions
- High precision in a broad flow control range (logarithmic control scale)

### BENEFITS:

- Accuracy and ease of setting
- Working pressure up to 10 bar
- Flow rate up to 6 L/h
- Low noise level
- Graphic display and text menu



### DOSING PUMP KITS

Code	Product	Dosing pump max capacity	Chemical tank / pulse meter (if included)
<b>D100660</b>	EMEC FACO basic dosing pump set (no meter connectivity)	0.6 L/h @ up to 10 bar	60 L / —
<b>99135150-60BASIC</b>	Grundfos DDC 6—10 basic dosing pump set without pulse meter	6.0 L/h @ up to 10 bar	60 L / —
<b>99135150-120BASIC</b>			130 L / —
<b>99135150-60-25BASIC</b>	Grundfos DDC 6—10 basic dosing pump set with pulse meter	6.0 L/h @ up to 10 bar	60 L / DN 25
<b>99135150-120-40BASIC</b>			130 L / DN 40

# 4"

## MEMBRANES

Our 4" membranes are intended for use in the treatment of brackish water in low pressure systems.

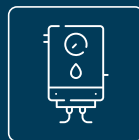
With a large active surface area, combined with high rejection rates, our 4" membranes are suitable for use in variable flow and pressure conditions, ensuring a consistently high quality permeate.

Our 4" membranes are most suited to MO5000, MO10000, MO20000, MO30000, MO6500, MO12000, MO24000, MO36000 models.

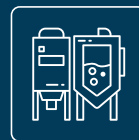
## APPLICATIONS



CAR WASH



BOILER FEED



DISTILLERY



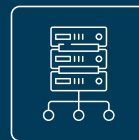
B&B/HOTELS



BREWERY



DAIRY AND MEAT  
PROCESSING



DATA CENTRES



AGRICULTURE



HEALTHCARE &  
LABORATORIES



HORECA  
(HOTELS, RESTAURANTS  
& CATERING)



DOMESTIC HOUSES



DAIRY/FOOD &  
BEVERAGE

## 4" MEMBRANES

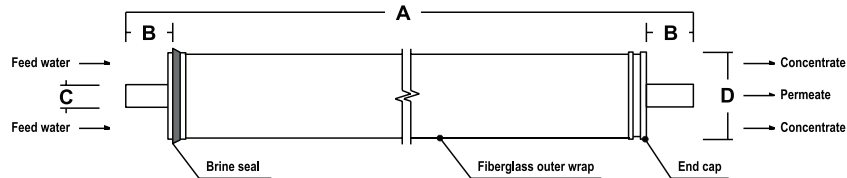


### KEY FEATURES

Product	Brand	Description
<b>XLE-4040</b>	Dow Filmtec	XLE-4040 membranes offer better system performance and economics by operating at very low applied pressure. The XLE membrane, made with a patented technology, provides consistent and reliable system performance.
<b>LC LE-4040</b>	Dow Filmtec	LC LE-4040 delivers high quality water and high salt rejection at low pressure in harsh water conditions, using DuPont's innovative, proprietary technology for low energy applications.
<b>ELP-4040</b>	Ecosoft	Basic ELP-4040 is intended for purification of tap water in low pressure systems. The active surface area, together with high rejection rates allow the membranes to be used in variable pressure and flow conditions without reducing permeate quality.

The results outlined in the table below show different types of membrane performance when tested on the model MO6500 under the same test conditions and using the same feed water quality.

MO6500			RO membrane		
			ELP4040	XLE4040	LC LE 4040
	Units	Feed water	Permeate		
Inlet Pressure	Bar	-	10	10	10
Temperature	°C	-	12	12	12
Capacity	l/h	-	190	240	220
TDS	mg/l	1,429.2	51.8	57.3	30.7
N03-	mg/l	180.0	24.7	32.7	9.3
Boron	mg/l	0.7	0.5	0.4	0.4
Mg+2	mg/l	73.3	1.1	0.4	1.0
Ca+2	mg/l	225.6	3.3	2.1	3.1
K+	mg/l	6.0	0.2	0.3	0.2
Na+	mg/l	61.9	8.8	12.5	3.4
Cl-	mg/l	78.6	1.2	0.7	1.1
S04-2	mg/l	415.5	4.5	2.2	3.2
HCO3-	mg/l	387.4	7.5	5.9	9.0



### MEMBRANE DIMENSIONS

	Product		
	XLE-4040	LCLE-4040	ELP-4040
<b>A</b>	1016 mm	1016 mm	1016 mm
<b>B</b>	26.7 mm	26.7 mm	26.7 mm
<b>C</b>	19 mm	19 mm	19 mm
<b>D</b>	99 mm	99 mm	99 mm

### OPERATING AND CLEANING LIMITS

	XLE-4040	LCLE-4040	ELP-4040
Maximum operating temperature	45 °C	45 °C	45 °C
Maximum operating pressure	41 bar	41 bar	41 bar
Maximum element pressure drop	1 bar	1 bar	1 bar
Continuous operation pH range	2 – 11	2 – 11	3 – 11
Short term (cleaning) pH range	1 – 13	1 – 13	1.5 – 12
Maximum chlorine concentration	0.1 mg/l	0.1 mg/l	0.1 mg/l
Maximum Silt Density Index	5	5	5

# 8"

## MEMBRANES

Our 8" membranes are intended for the treatment of brackish water in low pressure systems.

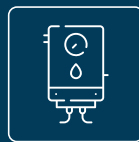
With a large active surface area, combined with high rejection rates, our 8" membranes are suitable for use in variable flow and pressure conditions, ensuring a consistently high quality permeate.

Our 8" membranes are most suited to MO2-MO48 models.

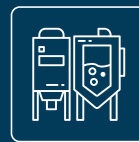
## APPLICATIONS



CAR WASH



BOILER FEED



DISTILLERY



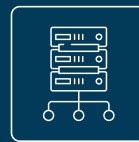
B&B/HOTELS



BREWERY



DAIRY AND MEAT  
PROCESSING



DATA CENTRES



AGRICULTURE



HEALTHCARE &  
LABORATORIES



HORECA  
(HOTELS, RESTAURANTS  
& CATERING)



DOMESTIC HOUSES



DAIRY/FOOD &  
BEVERAGE

## 8" MEMBRANES

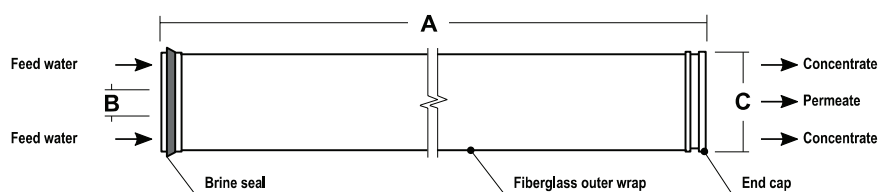


### KEY FEATURES

Product	Brand	Description
<b>XLE-440</b>	Dow Filmtec	XLE-440 elements offer better system performance and economics by operating at very low applied pressure. XLE membrane, made with a patented technology, provides consistent and reliable system performance.
<b>ECO PRO-440</b>	Dow Filmtec	ECO PRO-440 Ideal for reverse osmosis plant managers and operators dealing with controlled pre-treatment waters and seeking advanced membrane treatment with high water purity and low energy consumption.
<b>ELP-8040-400</b>	Ecosoft	Basic ELP-8040-400 are intended for purification of tap water in low pressure systems. Active surface area together with high rejection rates allows to use the membranes in variable pressure and flow conditions without deterioration of permeate quality.

The results outlined in the table below show different types of membrane performance when tested on the model M01 under the same test conditions and using the same feed water quality.

M01			RO membrane		
			ELP8040	XLE440	EcoPro440
	Units	Feed water	Permeate		
Inlet Pressure	Bar	-	10	10	10
Temperature	°C	-	12	12	12
Capacity	l/h	-	930	1,140	930
TDS	mg/l	1,429.2	50.6	57.0	19.2
N03-	mg/l	180.0	24.1	32.4	3.9
Boron	mg/l	0.7	0.5	0.4	0.5
Mg+2	mg/l	73.3	1.1	0.4	0.2
Ca+2	mg/l	225.6	3.2	2.1	0.9
K+	mg/l	6.0	0.2	0.3	0.5
Na+	mg/l	61.9	8.6	12.4	3.6
Cl-	mg/l	78.6	1.2	0.7	0.6
S04-2	mg/l	415.5	4.4	2.3	1.2
HCO3-	mg/l	387.4	7.3	6.0	7.9



### MEMBRANE DIMENSIONS

	Product		
	XLE-440	ECO PRO-440	ELP-8040-400
<b>A</b>	1016 mm	1016 mm	1016 mm
<b>B</b>	38 mm	29 mm	29 mm
<b>C</b>	201 mm	201 mm	201 mm

### OPERATING AND CLEANING LIMITS

	XLE-440	ECO PRO-440	ELP-8040-400
Maximum operating temperature	45 °C	45 °C	45 °C
Maximum operating pressure	41 bar	41 bar	41 bar
Maximum element pressure drop	1 bar	1 bar	1 bar
Continuous operation pH range	2 – 11	2 – 11	3 – 11
Short term (cleaning) pH range	1 – 13	1 – 13	1.5 – 12
Maximum chlorine concentration	0.1 mg/l	0.1 mg/l	0.1 mg/l
Maximum Silt Density Index	5	5	5



## CHEMICALS

We can provide a variety of high quality anti-scalants which can be used with your RO treatment system to prevent crystal formation or scaling on the membranes.

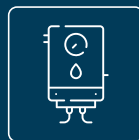
Membrane flushing reagents are also available to assist with your system's ongoing maintenance when in operation.

The chemicals are suitable for the MO5000-30000, MO6500-MO36000 4" RO systems, or the MO2-MO48 8" RO systems.

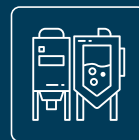
## APPLICATIONS



CAR WASH



BOILER FEED



DISTILLERY



B&B/HOTELS



BREWERY



DAIRY AND MEAT  
PROCESSING



DATA CENTRES



AGRICULTURE



HEALTHCARE &  
LABORATORIES



HORECA  
(HOTELS, RESTAURANTS  
& CATERING)



DOMESTIC HOUSES



DAIRY/FOOD &  
BEVERAGE

## CHEMICALS FOR REVERSE OSMOSIS SYSTEMS

Chemicals are used for continuous operation of the 4" and 8" reverse osmosis system. Antiscalant is constantly added before systems to prevent scaling on membrane surface. Cleaning chemicals are used periodically to restore membrane surface from fouling and scaling (solids, organic matter, biofilm, etc.) during clean in place operations. Biocides can be used either constantly or as part of a cleaning program to control biofouling in reverse osmosis membranes.

Product	Application	Packaging
Scale Guard 50M02	Multifunctional antiscalant	25 kg
Vitec 5100	Multifunctional antiscalant	20 kg
DC20	RO Membranes acid cleaner	20 kg
BWT OSMOCLEAN A	RO Membranes acid cleaner	20 kg
BWT OSMOCLEAN B	RO Membranes basic cleaner	20 kg
BWT CS-3002	Fast-acting non-oxidative biocide	10 kg
Sodium Hypochlorite, 5% <= C < 16%	Fast-acting oxidative biocide	10 kg

### MULTIFUNCTIONAL ANTISCALANTS - SCALE GUARD 50M02 AND VITEC 5100

<b>EFFECTIVE TO PREVENT SCALING:</b>	<ul style="list-style-type: none"> <li>• Calcium Carbonate</li> <li>• Calcium, Barium, Sulphates</li> </ul>	<ul style="list-style-type: none"> <li>• Calcium Fluoride</li> <li>• Silica</li> </ul>
<b>USAGE RECOMMENDATIONS:</b>	<b>Dosage</b>	2-5 ml/m <sup>3</sup>
	<b>Dosing mode</b>	Constant
	<b>Injection form</b>	Pure (diluted if necessary)

### RO MEMBRANES ACID CLEANER BWT OSMOCLEAN A

<b>EFFECTIVE TO REMOVE:</b>	<ul style="list-style-type: none"> <li>• Iron oxides</li> <li>• Calcium and magnesium deposits</li> </ul>	<ul style="list-style-type: none"> <li>• Sludge</li> <li>• Silica</li> </ul>
<b>USAGE RECOMMENDATIONS:</b>	<b>Dosage</b>	1% v/v
	<b>Dosing mode</b>	Chemical cleaning once per 3-12 months
	<b>Injection form</b>	Pure or diluted

### RO MEMBRANES BASIC CLEANER BWT OSMOCLEAN B

<b>EFFECTIVE TO REMOVE:</b>	<ul style="list-style-type: none"> <li>• Biofilm</li> <li>• Sludge</li> </ul>	<ul style="list-style-type: none"> <li>• Organic deposits</li> </ul>
<b>USAGE RECOMMENDATIONS:</b>	<b>Dosage</b>	3% v/v
	<b>Dosing mode</b>	Chemical cleaning once per 3-12 months
	<b>Injection form</b>	Pure or diluted

### FAST-ACTING NON-OXIDATIVE BIOCIDES BWT CS-3002

<b>EFFECTIVE TO REMOVE:</b>	<ul style="list-style-type: none"> <li>• Bacteria</li> <li>• Legionella</li> </ul>			
<b>USAGE RECOMMENDATIONS:</b>	<b>Dosage</b>	2,5-5 mg/l	30-80 mg/l	80-250 mg/l
	<b>Dosing mode</b>	Constant	Shock dosing	Chemical cleaning
	<b>Injection form</b>	Pure or diluted	Pure or diluted	Pure or diluted

### SODIUM HYPOCHLORITE 5% <=C < 16%

<b>EFFECTIVE TO REMOVE:</b>	<ul style="list-style-type: none"> <li>• Bacteria</li> <li>• Algae</li> </ul>	<ul style="list-style-type: none"> <li>• Legionella</li> </ul>
<b>USAGE RECOMMENDATIONS:</b>	<b>Dosage</b>	150-500 mg/l
	<b>Dosing mode</b>	Chemical cleaning
	<b>Injection form</b>	Pure

# APPENDICES

Additional technical specifications

## APPLICATIONS



CAR WASH



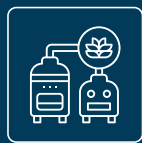
BOILER FEED



DISTILLERY



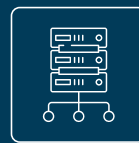
B&B/HOTELS



BREWERY



DAIRY AND MEAT  
PROCESSING



DATA CENTRES



AGRICULTURE



HEALTHCARE &  
LABORATORIES



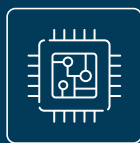
HORECA  
(HOTELS, RESTAURANTS  
& CATERING)



DOMESTIC HOUSES



DAIRY/FOOD &  
BEVERAGE



MICROELECTRONICS



POWER  
GENERATORS

## 8" REVERSE OSMOSIS SYSTEMS



**8" RO SYSTEMS**



**8" INOX RO SYSTEMS**

COMPONENTS	PURPOSE	8" RO SYSTEMS	8" INOX RO SYSTEMS
Motorized valves (feed water in, flush out)	Smooth start/stop	+	+
Grundfos high-pressure pump	High-energy efficiency (IE4, A+), low noise and vibration	+	+
Controller	Automatic service and fault detection	OC5000	OC5000
Electrical conductivity probe for outlet water		+	+
Languages		EN	EN
Powder coat frame		+	
AISI 304 Stainless steel frame	Long life and durable		+
AISI 316 Stainless steel high pressure line	Can work with the TDS up to 4 500 ppm		+
Sediment filter on board	Remove sediment particles with size more than 5 microns	+	+
Connection ports for dosing pump, permeate flush, raw water blending kits	Permeate flush prolongs membrane service life	+	+
Automatic raw water flushing of the membrane	Longer membrane service life before CIP is required	+	+
Balancing valves (concentrate reject, recycle)		+	+
Pressure switch after sediment filter	«Dry run» control	Adjustable	Adjustable
Pressure switch on permeate line	Switch on/off the RO by the high pressure on permeate line	+	+
Pressure switch on high pressure line	Membrane protection	+	+
Max. TDS limit of feed water, ppm		≤3 000	≤4 500
Frame mounted casters	Easily moved from location to location		+

# COMMERCIAL RO MO5000TP5, MO6500TP5, MO6500TP6

COST EFFECTIVE

PROFESSIONAL

IOT ADVANCED



COMPONENTS	PURPOSE	MO5000TP5	MO6500TP5	MO6500TP6
Product flow rate, liter per hour*		200-300	200-300	200-300
Grundfos high-pressure pump	High-energy efficiency (IE4, A+), low noise and vibration	CM110	CM110	CM110
Controller	Automatic service and fault detection	OC5000	OC5000	OC6000
Econnect function	Online access to the RO machine	—	—	+
Electrical conductivity probe for inlet water		—	—	+
Electrical conductivity probe for outlet water		—	+	+
Languages		EN	EN	EN, FR, UA, CZ
Frame		Powder coat	Powder coat	Powder coat
Sediment filter on board	Remove sediment particles with size more than 5 microns	2,5" x 10"	4,5" x 20"	4,5" x 20"
Connection ports for dosing pump, permeate flush, raw water blending kits	Permeate flush prolongs membrane service life	—	+	+
Automatic raw water flushing of the membrane	Longer membrane service life before CIP is required	—	+	+
Recycle adjustment		valve	rotameter	rotameter
Pressure switch after sediment filter	"Dry run" control	Non-adjustable	Adjustable	Adjustable
Pressure switch on permeate line	Switch on/off the RO connected to pressure tank	—	+	+
Max. TDS limit of feed water, ppm		≤3 000	≤3 000	≤3 000
Overall dimensions (Height × Width × Depth), meter		1,48 × 0,29 × 0,37	1,45 × 0,54 × 0,39	1,45 × 0,54 × 0,39
Unit net weight (without membrane), kg		45	60	60
Pieces on pallet		9	4	4

\* see detailed performance and conditions data in the product catalog

# COMMERCIAL RO MO10000TP5, MO12000TP5, MO12000TP6

COST EFFECTIVE

PROFESSIONAL

IOT ADVANCED



COMPONENTS	PURPOSE	MO10000TP5	MO12000TP5	MO12000TP6
Product flow rate, liter per hour*		400-500	400-500	400-500
Grundfos high-pressure pump	High-energy efficiency (IE4, A+), low noise and vibration	CM110	CM110	CM110
Controller	Automatic service and fault detection	OC5000	OC5000	OC6000
Econnect function	Online access to the RO machine	—	—	+
Electrical conductivity probe for inlet water		—	—	+
Electrical conductivity probe for outlet water		—	+	+
Languages		EN	EN	EN, FR, UA, CZ
Frame		Powder coat	Powder coat	Powder coat
Sediment filter on board	Remove sediment particles with size more than 5 microns	2,5" x 10"	4,5" x 20"	4,5" x 20"
Connection ports for dosing pump, permeate flush, raw water blending kits	Permeate flush prolongs membrane service life	—	+	+
Automatic raw water flushing of the membrane	Longer membrane service life before CIP is required	—	+	+
Recycle adjustment		valve	rotameter	rotameter
Pressure switch after sediment filter	"Dry run" control	Non-adjustable	Adjustable	Adjustable
Pressure switch on permeate line	Switch on/off the RO connected to pressure tank	—	+	+
Max. TDS limit of feed water, ppm		≤3 000	≤3 000	≤3 000
Overall dimensions (Height × Width × Depth), meter		1,48 × 0,29 × 0,37	1,45 × 0,54 × 0,39	1,45 × 0,54 × 0,39
Unit net weight (without membrane), kg		50	70	70
Pieces on pallet		9	4	4

\* see detailed performance and conditions data in the product catalog

# COMMERCIAL RO MO20000TP5, MO24000TP5, MO24000TP6

COST EFFECTIVE

PROFESSIONAL

IOT ADVANCED



COMPONENTS	PURPOSE	MO20000TP5	MO24000TP5	MO24000TP6
Product flow rate, liter per hour*		800-1000	1000-1200	1000-1200
Grundfos high-pressure pump	High-energy efficiency (IE4, A+), low noise and vibration	CR315	CM314	CM314
Controller	Automatic service and fault detection	OC5000	OC5000	OC6000
Econnect function	Online access to the RO machine	—	—	+
Electrical conductivity probe for inlet water		—	—	+
Electrical conductivity probe for outlet water		—	+	+
Languages		EN	EN	EN, FR, UA, CZ
Frame		Powder coat	Powder coat	Powder coat
Sediment filter on board	Remove sediment particles with size more than 5 microns	—	4.5" x 20"	4.5" x 20"
Connection ports for dosing pump, permeate flush, raw water blending kits	Permeate flush prolongs membrane service life	—	+	+
Automatic raw water flushing of the membrane	Longer membrane service life before CIP is required	—	+	+
Recycle adjustment		rotameter	rotameter	rotameter
Pressure switch after sediment filter	"Dry run" control	Adjustable	Adjustable	Adjustable
Pressure switch on permeate line	Switch on/off the RO connected to pressure tank	+	+	+
Max. TDS limit of feed water, ppm		≤3 000	≤3 000	≤3 000
Overall dimensions (Height × Width × Depth), meter		1.50 × 0.50 × 0.40	1.49 × 0.70 × 0.58	1.49 × 0.70 × 0.58
Unit net weight (without membrane), kg		90	100	100
Pieces on pallet		6	1	1

\* see detailed performance and conditions data in the product catalog

# COMMERCIAL RO MO30000TP5, MO36000TP5, MO36000TP6

COST EFFECTIVE

PROFESSIONAL

IOT ADVANCED



COMPONENTS	PURPOSE	MO30000TP5	MO36000TP5	MO36000TP6
Product flow rate, liter per hour*		1200-1600	1400-1800	1400-1800
Grundfos high-pressure pump	High-energy efficiency (IE4, A+), low noise and vibration	CR315	CM314	CM314
Controller	Automatic service and fault detection	OC5000	OC5000	OC6000
Econnect function	Online access to the ROmachine	—	—	+
Electrical conductivity probe for inlet water		—	—	+
Electrical conductivity probe for outlet water		—	+	+
Languages		EN	EN	EN, FR, UA, CZ
Frame		Powder coat	Powder coat	Powder coat
Sediment filter on board	Remove sediment particles with size more than 5 microns	—	4,5" x 20"	4,5" x 20"
Connection ports for dosing pump, permeate flush, raw water blending kits	Permeate flush prolongs membrane service life	—	+	+
Automatic raw water flushing of the membrane	Longer membrane service life before CIP is required	—	+	+
Recycle adjustment		rotameter	rotameter	rotameter
Pressure switch after sediment filter	"Dry run" control	Adjustable	Adjustable	Adjustable
Pressure switch on permeate line	Switch on/off the RO connected to pressure tank	+	+	+
Max. TDS limit of feed water, ppm		≤3 000	≤3 000	≤3 000
Overall dimensions (Height × Width × Depth), meter		1,50 × 0,50 × 0,40	1,49 × 0,87 × 0,58	1,49 × 0,87 × 0,58
Unit net weight (without membrane), kg		95	100	100
Pieces on pallet		6	1	1

\* see detailed performance and conditions data in the product catalog



## FEED WATER QUALITY REQUIREMENTS

Water quality parameter	Value, max.*
Total dissolved solids	3000 ppm
Hardness	150 mg/L CaCO <sub>3</sub>
Iron	0.2 mg/L
Manganese	0.05 mg/L
Silicate	20 mg/L
Chemical oxygen demand	4.0 mg O <sub>2</sub> /L
Residual chlorine	0.1 mg/L
Hydrogen sulfide	none
Total microbial count (TMC)	50 CFU/100 ml
Coliform index	3 MPN/100ml

\*The limitations may be exceeded if using antiscalant, oxygen scavenger, or other type of chemical pretreatment

# eps

**Rethinking** Water

In partnership with

 **ecosoft**  
BWT WATER PROFESSIONALS

**E** [info@epswater.ie](mailto:info@epswater.ie)

**W** [epswater.ie](http://epswater.ie)

**Mallow, Co. Cork**  
**T** 022 31200

**Ballyhaunis, Co. Mayo**  
**T** 094 9633500

**Mountrath, Co. Laois**  
**T** 057 8732279

**Naas, Co. Kildare**  
**T** 045 843614