

PRESSMATIC

Single Pump Standard Pressurisation Unit with Motor & Low-Level Protection

Pressurisation units, also referred to as top-up or auto-fill units, are an important part of modern heating and cooling systems. They are crucial in maintaining optimal pressure levels and enhancing system efficiency.

Our Pressmatic range of packaged pressurisation systems are designed to be compact and energy-efficient, as well as simple to install and maintain. Suitable for use in a range of domestic, commercial and industrial applications with several versions to choose from.

The IPP137/AS features single-pump operation with pressure switch control, high & low-level output and built in motor protection (via low-level float switch in break-tank). Non-return valves are fitted on the pump suction and discharge along with an 8-litre expansion vessel to ensure efficient pump operation.

All units are designed with provision for an overflow (recommended to be fitted in all installations) and for hassle-free set-up and maintenance.

KEY FEATURES

- Single pump
- Built-in motor protection
- High, low & pump pressure switches with visual setting indicators
- 25L break tank c/w lid - ½" ballcock & polyfloat
- 8L pressure vessel
- Non-return valves on suction & discharge pipework
- Pressure gauge
- Isolating valves
- Maintenance drain valve
- Demountable fittings
- Factory tested
- Set at 1.00 Bar cold fill pressure

Electrical Details:

230 Volts / 1 Phase / 50 Hz,
0.37 kW, 2.70 Amps FLC

Dimensions:

0.72 m (l) x 0.35 m (d) x
0.95 m (h)

Cold Fill Pressure:

50 kPa to 250 kPa (0.50 kPa
– 320kPa is available on
request)

IPP

Model: IPP137/AS
Stock Code: 1196896



1. Pedrollo PKm 60 Pump (Stock Code: 1000009)
2. 8L Global Sphere Pressure Vessel (Stock Code: 1004918)

OTHER MODELS AVAILABLE



**Pressmatic
IPP127/AS**
Stock Code: 1196038



**Pressmatic
IPP147D/AS***
Stock Code: 1195852
*On Request



**Pressmatic
IPP247D/AS**
Stock Code: 1195853



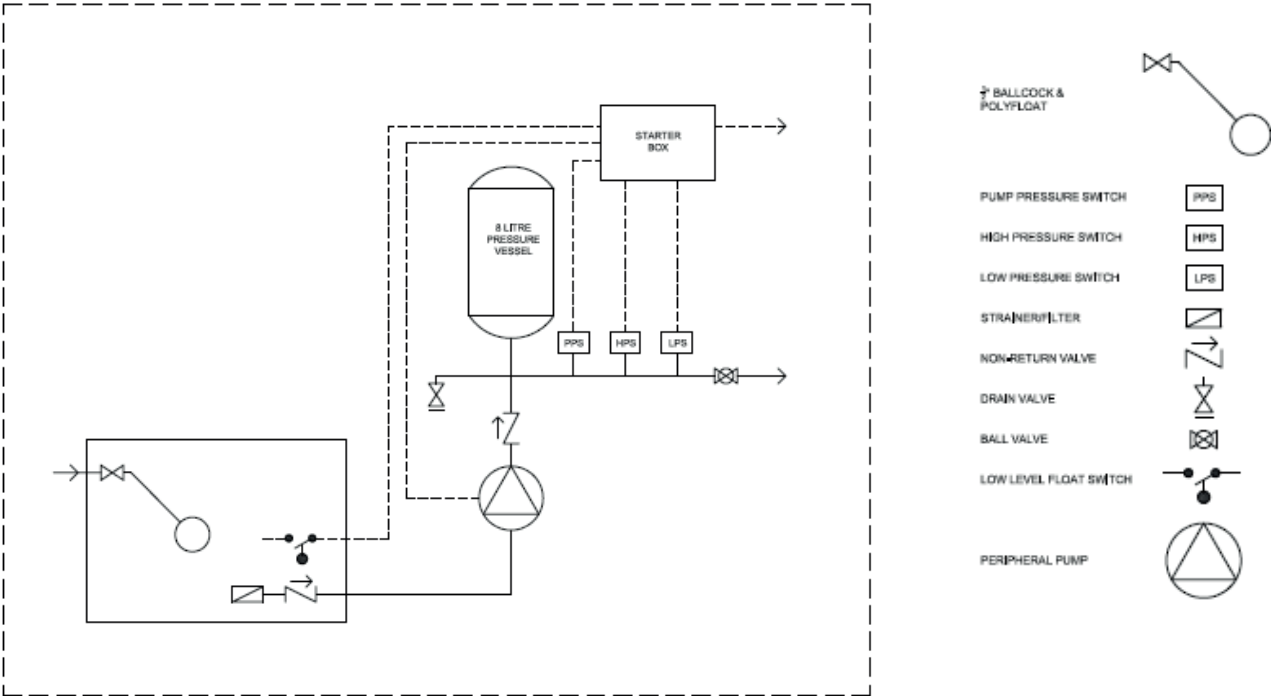
**Pressmatic
IPP257D/AS**
Stock Code: 1198407

PRESSMATIC SELECTION GUIDE

Type	Duty	Duty / Standby	Pump Inlet Strainer	Pump Inlet NRV	Pump Discharge NRV	Pump Trip Detection	Pump Cascade Function	Pump Activation Counter	Pump Auto-Rotate	Pump Alarms	Single Break Tank	Dual Break Tank	Pressure Switch Control	High & Low Mechanical Pressure Switches	Digital High & Low Settings	Pressure Transducer Control	8 Litre Pressure Accumulator	Microprocessor with Digital Display	Password Protection	Manual Run	Low Water Float Switch	Low Water Alarm	Low Glycol Alarm	Configurable Relay Outputs	Mains Water Ballcock	Cold Fill Pressure 1.00 - 3.00 Bar	Cold Fill Pressure 1.00 - 6.00 Bar	Service Request Facility	Configurable Overload	Zero Bar Calibration		
Pressmatic	IPP127/AS	•	•	•	•					•			•	•			•								•	•						
	IPP127/BS	•	•	•	•					•			•	•			•								•	•						
	IPP137/AS	•	•	•	•					•			•	•			•								•	•						
	IPP137/BS	•	•	•	•					•			•	•			•								•	•						
	IPP147D/AS	•	•	•	•	•	•	•	•	•	•	•	•	•	•	•	•	•	•	•	•	•	•	•	•	•	•	•	•	•		
	IPP147D/BS	•	•	•	•	•	•	•	•	•	•	•	•	•	•	•	•	•	•	•	•	•	•	•	•	•	•	•	•	•	•	
	IPP247D/AS	•	•	•	•	•	•	•	•	•	•	•	•	•	•	•	•	•	•	•	•	•	•	•	•	•	•	•	•	•	•	
	IPP247D/BS	•	•	•	•	•	•	•	•	•	•	•	•	•	•	•	•	•	•	•	•	•	•	•	•	•	•	•	•	•	•	•
	IPP248D/AS	•	•	•	•	•	•	•	•	•	•	•	•	•	•	•	•	•	•	•	•	•	•	•	•	•	•	•	•	•	•	•
	IPP248D/BS	•	•	•	•	•	•	•	•	•	•	•	•	•	•	•	•	•	•	•	•	•	•	•	•	•	•	•	•	•	•	•
	IPP257D/AS	•	•	•	•	•	•	•	•	•	•	•	•	•	•	•	•	•	•	•	•	•	•	•	•	•	•	•	•	•	•	•
	IPP257D/BS	•	•	•	•	•	•	•	•	•	•	•	•	•	•	•	•	•	•	•	•	•	•	•	•	•	•	•	•	•	•	•

• = Included as standard
◦ = Optional

PRESSMATIC IPP137/AS



Churchtown, D14 TH77
☎ 01 298 9560

Mallow, Co. Cork
☎ 022 31200

Ballyhaunis, Co. Mayo
☎ 094 9633500

Mountrath, Co. Laois
☎ 057 8732279

Naas, Co. Kildare
☎ 045 843614