

PRESSMATIC

Twin-Pump Digital Pressurisation Unit with Low-level Protection and BMS Interface

The IPP247D/AS is a twin-pump (duty/standby) unit featuring fully-automatic digital control via an integrated panel and 4-20mA pressure transducer.

HMI and BMS interface is provided with configurable outputs including high/low pressure, low-water level, high/low current, voltage, run hours, alarms and pump status.

Option: Standard operating pressure is 0.8 to 2.5 Bar. High pressure version available on request with operating pressure of 2.0 to 4.0 Bar (Model: IPP247D/BS, Stock Code: 1198404)

Option: Single-pump version available on request (Model: IPP147D/AS, Stock Code: 1195852)

KEY FEATURES

- Twin pump unit
- Fully automatic digital control panel
- Low level protection float switch
- Realtime information
- Continuously rated pumps
- Built-in motor protection
- High, low & pump pressure switches with visual setting indicators
- 25L break tank c/w lid - 1/2" ballcock & polyfloat
- 8L pressure vessel
- Non-return valves on suction & discharge pipework
- Pressure gauge
- Isolating valves
- Maintenance drain valve
- Demountable fittings
- Factory tested
- Set at 1.00 Bar cold fill pressure

Electrical Details:

230 Volts / 1 Phase / 50 Hz,
0.37 kW, 2.70 Amps FLC

Dimensions:

0.72 m (l) x 0.35 m (d) x
0.95 m (h)

Cold Fill Pressure:

50 kPa to 250 kPa (0.50 kPa
– 320kPa is available on
request)

IPP

Model: IPP247D/AS
Stock Code: 1195853



1. Pedrollo PKm 60 Pump (Stock Code: 1000009)
2. 8L Global Sphere Pressure Vessel (Stock Code: 1004918)

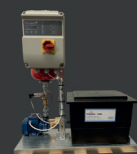
OTHER MODELS AVAILABLE



**Pressmatic
IPP127/AS**
Stock Code: 1196038



**Pressmatic
IPP137/AS**
Stock Code: 1196896



**Pressmatic
IPP147D/AS***
Stock Code: 1195852
*On Request



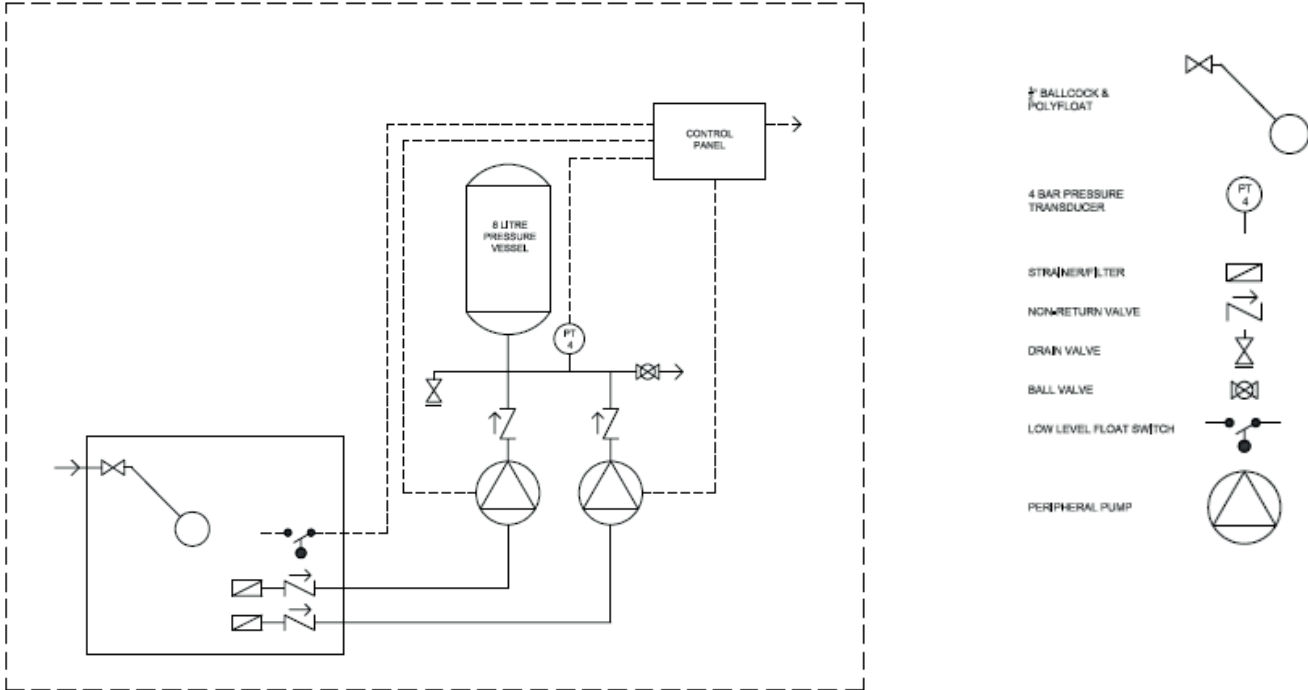
**Pressmatic
IPP257D/AS**
Stock Code: 1198407

PRESSMATIC SELECTION GUIDE

Type	Duty	Duty / Standby	Pump Inlet Strainer	Pump Inlet NRV	Pump Discharge NRV	Pump Trip Detection	Pump Cascade Function	Pump Activation Counter	Pump Auto-Rotate	Pump Alarms	Single Break Tank	Dual Break Tank	Pressure Switch Control	High & Low Mechanical Pressure Switches	Digital High & Low Settings	Pressure Transducer Control	8 Litre Pressure Accumulator	Microprocessor with Digital Display	Password Protection	Manual Run	Low Water Float Switch	Low Water Alarm	Low Glycol Alarm	Configurable Relay Outputs	Mains Water Ballcock	Cold Fill Pressure 1.00 - 3.00 Bar	Cold Fill Pressure 1.00 - 6.00 Bar	Service Request Facility	Configurable Overload	Zero Bar Calibration			
Pressmatic	IPP127/AS	•	•	•	•					•			•	•			•								•	•							
	IPP127/BS	•	•	•	•					•			•	•			•								•	•							
	IPP137/AS	•	•	•	•					•			•	•			•								•	•							
	IPP137/BS	•	•	•	•					•			•	•			•								•	•							
	IPP147D/AS	•	•	•	•	•	•	•	•	•	•	•	•	•	•	•	•	•	•	•	•	•	•	•	•	•	•	•	•	•			
	IPP147D/BS	•	•	•	•	•	•	•	•	•	•	•	•	•	•	•	•	•	•	•	•	•	•	•	•	•	•	•	•	•	•		
	IPP247D/AS	•	•	•	•	•	•	•	•	•	•	•	•	•	•	•	•	•	•	•	•	•	•	•	•	•	•	•	•	•	•		
	IPP247D/BS	•	•	•	•	•	•	•	•	•	•	•	•	•	•	•	•	•	•	•	•	•	•	•	•	•	•	•	•	•	•	•	
	IPP248D/AS	•	•	•	•	•	•	•	•	•	•	•	•	•	•	•	•	•	•	•	•	•	•	•	•	•	•	•	•	•	•	•	
	IPP248D/BS	•	•	•	•	•	•	•	•	•	•	•	•	•	•	•	•	•	•	•	•	•	•	•	•	•	•	•	•	•	•	•	•
	IPP257D/AS	•	•	•	•	•	•	•	•	•	•	•	•	•	•	•	•	•	•	•	•	•	•	•	•	•	•	•	•	•	•	•	•
	IPP257D/BS	•	•	•	•	•	•	•	•	•	•	•	•	•	•	•	•	•	•	•	•	•	•	•	•	•	•	•	•	•	•	•	•

• = Included as standard
◦ = Optional

PRESSMATIC IPP247D/AS



Churchtown, D14 TH77
☎ 01 298 9560

Mallow, Co. Cork
☎ 022 31200

Ballyhaunis, Co. Mayo
☎ 094 9633500

Mountrath, Co. Laois
☎ 057 8732279

Naas, Co. Kildare
☎ 045 843614